

# **Operator's Manual**

## **Propane Floor Burnisher Equipment**



## **! READ THIS BOOK**

This book has important information for the use and safe operation of this machine. Failure to read this book prior to operating or attempting any service or maintenance procedure to your Onyx machine could result in injury to you or to other personnel; damage to the machine or to other property could occur as well. You must have training in the operation of this machine before using it. If your operator(s) cannot read English, have this manual explained fully before attempting to operate this machine.

Si Ud. o sus operadores no pueden leer el inglés, se ha de explicar este manual completamente antes de tratar el manejo o servicio de esta máquina.

All directions given in this book are as seen from the operator's position at the rear of the machine.

For new books write to:

**Onyx Engineered Products: 137 Cross Center Dr., Ste. 246, Denver, NC 28037**

**DANGER:** It is the owner/operator's responsibility to ensure that the air-exchange system installed in any location where a propane floor care machine is being operated is of sufficient capacity and quality to support the use of such a machine. OSHA and other County, State, or Federal Agencies publish guidelines on this subject that are usually most readily found in the possession of the respective owners and/or parent companies of any location or chain of locations. Failure on the part of the owner/operator to ensure that a propane floor care machine can be operated safely in a given location may lead to injury, sickness or even loss of life.

## Table of Contents

Engine Emissions and CO Safety.....	4
Specifications.....	12
Operator Safety Information.....	13
Introduction.....	14
Propane Safety Information.....	15
How to Operate the Machine.....	16
Maintenance and Adjustments .....	17
Warranty Information.....	21
<b>SECTION II – Schematics</b>	
Detailed Description of Machines.....	23

This Owner's Manual/Safety Procedures Guide has been prepared for the promotion of educational purposes only and Onyx does not claim or assume any responsibility for the operator's actions or safety. To be completely aware of what local authorities may require, contact the Fire Marshal of your community.

# Engine Emissions and CO Safety

The purpose of this document is to provide information on:

- The potential effects of CO exposure;
- The methods to reduce the risk of CO poisoning;
- The methods used to determine the amount of potential exposure to CO produced by equipment.



**DANGER:** All LPG (Liquid Propane Gas) powered engines, including this engine, produce Carbon Monoxide (CO). It is a FATAL POISON that is a colorless, odorless, tasteless, and non-irritating gas. It is produced by incomplete combustion of carbonaceous material such as propane (LPG).

Failure to provide for proper venting of CO produced during the operation of combustion powered engines may result in SERIOUS INJURY OR DEATH to the operator and those in the contaminated area. .

The effects of CO can be experienced at different exposure levels, depending on the health of the individual. Conditions that affect the tolerance of the individual are smoking, age, temperature, humidity, and other conditions.



**WARNING:** Read and understand The Operators Manual completely before using this machine

This document explains how CO produced can be managed to reduce the risk of carbon monoxide poisoning.

All distributors, owners, and operators should be aware of the potential effects of CO and the methods used to prevent over exposure.

**Onyx Engineered Products** is dedicated to our customers, their safety, and providing information, services, and products that meet those needs.

Information provided in this document is current as of the date written January 2003.

## Document Overview

The information provided in the following overview has been condensed to provide the reader with a summary of the material presented.

### Potential Effects of CO Exposure

- Work place/industry guidelines for CO exposure limits vary substantially from region to region (OSHA) Permissible Exposure Limit (PEL) for CO is 50 ppm, as an 8-hour time weighted average.
- Definition of CO effects - The toxic effects of carbon monoxide in the blood is the result of tissue hypoxia (lack of oxygen). The severity depends on the state of activity of the individual and his tissue oxygen needs.

### Methods to Reduce The Risks of CO Poisoning

- Air Exchange and CO Diffusion - CO does not mix with air on its own. Air currents can "stir" the CO and dilute the concentration values by mixing it with the available air. When using equipment over a large area in a short time "stirring" occurs as you walk.
- Application Considerations (Burnishing versus Stripping) - When activity is concentrated to a smaller area as in a stripping application, air "stirring" must be forced by use of fans to reduce the risk of high concentrations of CO.
- Air Quality Monitoring - Deployment of a monitor/detector is essential for the safe operation of any equipment that has the potential to produce CO.
- Room Size and Time Estimations - The concentration and volume of CO production, the size of the area and the amount of air exchange are factors involved with determining safe time limits for operation in a specific room size.
- Maintenance of Equipment - LPG engines are dependent on engine tune up, and air filter replacement. CO concentration (production) skyrockets when the air to fuel ratio becomes fuel rich. Follow the recommended Maintenance Schedule for the engine.
- Safety Equipment Available. - Three-way type catalytic converter to scrub CO, Hydro Carbons (HC), and Nitrous Oxide (NOx) from the engine exhaust providing the lowest possible emissions, high cubic feet per minute (CFM) fans (forced air mixing), and digital combustion analyzers for tail pipe emissions monitoring.

# Engine Emissions - and CO Safety

## Potential Effects of CO Exposure

- Work place/industry guidelines for CO exposure limits
- Definition of CO effects

### **Work place/industry guidelines for CO exposure limits**

Limits for permissible exposure to CO vary substantially from region to region. City, State, and Industry requirements should be consulted prior to use of any equipment. The current Occupational Safety and Health Administration (OSHA) Permissible Exposure Limit (PEL) for CO is 50 ppm, as an 8-hour time weighted average (TW A). This is computed by making measurements at intervals over 8 hours, then adding the sums of the concentrations and the intervals, and dividing by 8 hours. For example:

Time	Interval	PPM	
8:00-9:00	1 HR	100	
9:00-10:00	1 HR	25	
10:00-11:00	1 HR	25	
11:00-12:00	1 HR	50	
12:00-1:00	1 HR	50	400ppm / 8HR=50pprn TW A
1:00-2:00	1 HR	50	
2:00-3:00	1 HR	50	
3:00-4:00	1 HR	50	
Time intervals =	8 HR	pprn =	400

The current National Institute for Occupational Health and Safety (NIOSH), immediately dangerous to life and health concentration (IDLH) recommended level for CO is 1,200 ppm. NIOSH defines the IDLH exposure level as the concentration that could result in irreversible health effects or death, or prevent escape. from the contaminated environment within 30 minutes.

### **Definition of CO effects:**

The toxic effects of carbon monoxide in the blood are the result of tissue hypoxia (lack of oxygen) carbon monoxide combines with hemoglobin to form carboxyhemoglobin. Since CO and oxygen react with the same group in the hemoglobin molecule, carboxyhemoglobin is incapable of carrying Oxygen. The affinity of hemoglobin for CO is 200 to 240 times greater than for oxygen. The extent of saturation of hemoglobin with CO depends on the concentration of the gas, the quantity of inspired air and on the time of exposure. The severity depends on the state of activity of the individual and his tissue oxygen needs.

According to Harrison's Principles of Internal Medicine 7th edition, no symptoms will develop at a concentration of 0.01 % CO (100ppm) in inspired air, since this will not raise blood saturation above 10 %. Exposure to 0.05% (500ppm) for 1 hour during light activity will produce a blood concentration of 20% carboxyhemoglobin and result in a mild or throbbing headache. Greater activity or longer exposure causes a blood saturation of 30 to 50 %. At this point head ache, irritability, confusion, dizziness, visual disturbance, nausea, vomiting, and fainting can be experienced. Exposure for one hour to concentrations of 0.1 % (1000ppm) in inspired air the blood will contain 50 to 80% carboxyhemoglobin which results in coma, convulsions, respiratory failure and death. On inhalation of high concentrations of CO, saturation of the blood proceeds so rapidly that unconsciousness may occur suddenly without warning.

## Methods to Reduce The Risks of CO Poisoning

- Air Exchange and CO Diffusion
- Application Considerations (Burnishing versus Stripping)
- Air Quality Monitoring
- Room Size and Time Estimations
- Maintenance of Equipment
- Safety Equipment Available

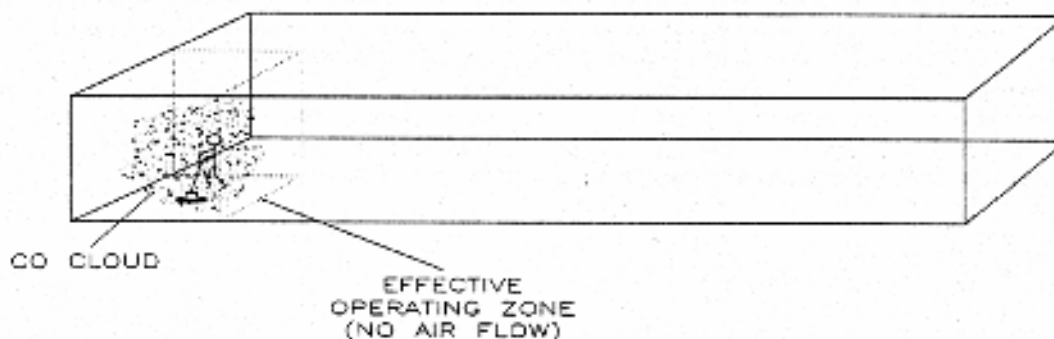
### **Air Exchange and CO Diffusion**

The most reliable method to prevent CO Poisoning is to ensure all the CO produced is vented outside. With wood stoves or gas heaters this is performed with ductwork that carries the exhaust and CO outside. Non-stationary combustion type equipment must be used in such a way that CO is not allowed to rise to a harmful or dangerous level. CO does not readily dissipate or mix with air on its own. Air currents can "stir" the CO and dilute the concentration or ppm values by mixing it with the available air. When using equipment over a large area in a short time "stirring" occurs as you walk, or to say it another way, your Effective Operating Zone is large. When activity is concentrated to a smaller area as in a stripping application, the Effective Operating Zone is small, and "stirring" must be forced by the use of fans to increase the Effective Operating Zone and reduce high concentrations of CO. "Air" exchange rates (air exchange is defined as the exhausting of internal air to the external atmosphere), the size of the Effective Operating Zone, amount of CO produced, level of human activity, and the duration of exposure are all factors in the determination of the production of carboxyhemoglobin and the amount of CO blood saturation.

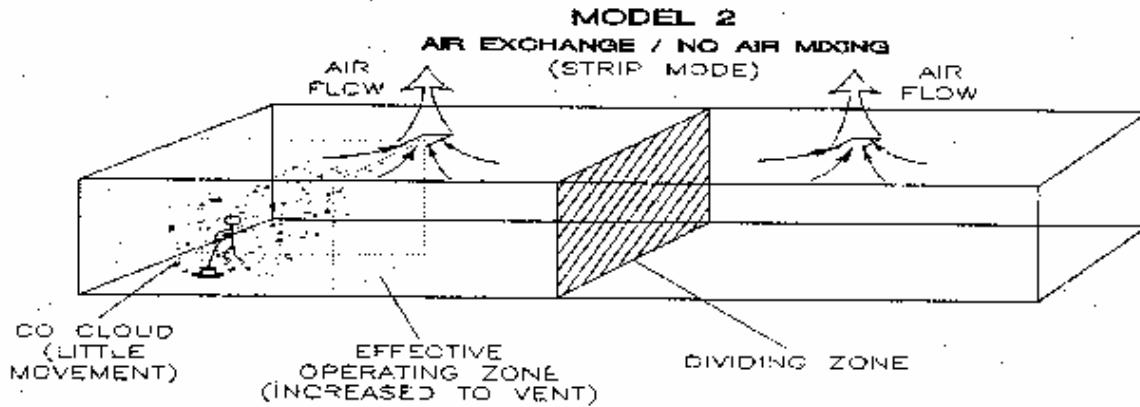
### **Application considerations (Burnishing versus Stripping)**

When using equipment over a large area in a short time, as in most burnishing applications, your Effective Operating Zone is large. When activity is concentrated to a smaller area as in stripping applications, the Effective Operating Zone is small and stirring or CO mixing MUST be forced by the use of fans to increase the Effective Operating Zone and reduce high concentrations of CO. Caution: air mixing in itself may not be sufficient to reduce CO to a safe level. The Effective Operating Zone can be defined as the area covered in a given time.

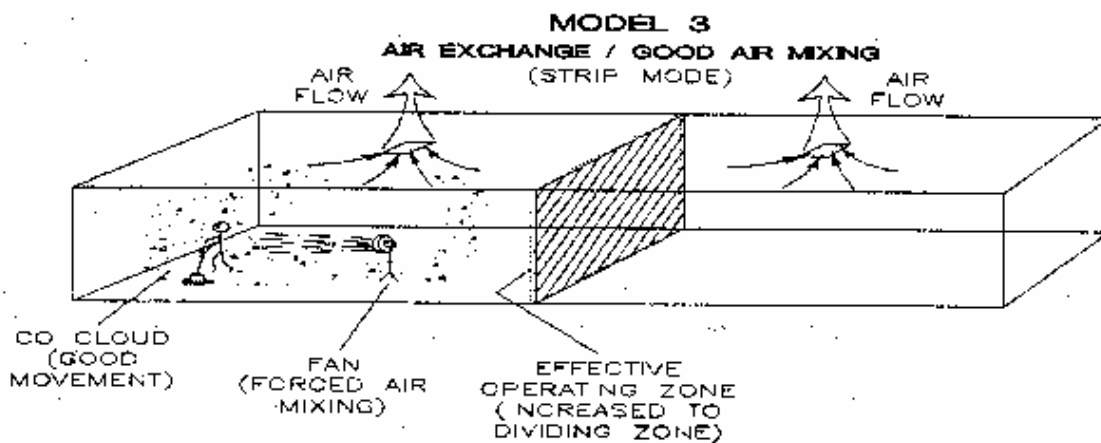
#### **MODEL 1 NO AIR EXCHANGE / NO AIR MIXNG (STRIP MODE)**



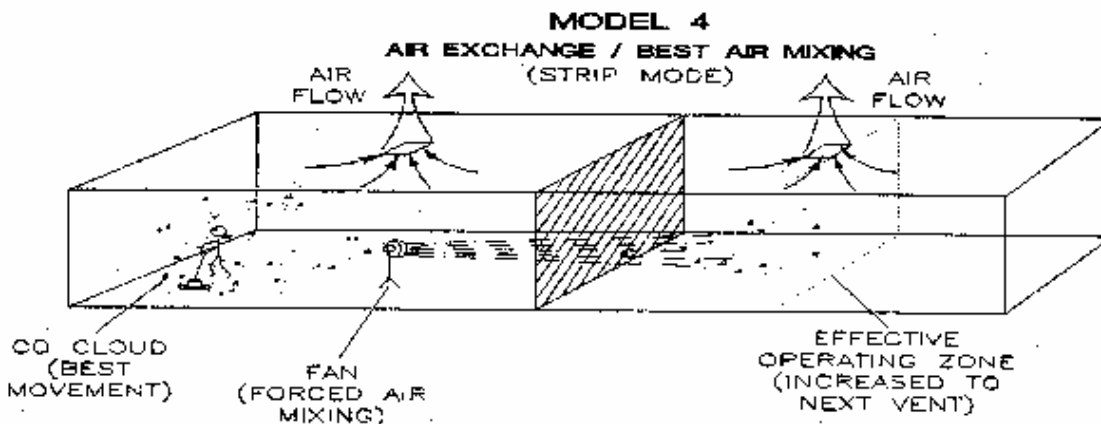
Stripping is quite a different type of operation than burnishing, and carries with it substantially more hazards, as stripping is a low movement operation compared to burnishing (less floor space for the same time). As shown in Model 1, the CO concentrations rise quicker as the "Effective Operating Zone" is a small area compared to the total building size.



Notice the CO concentration and the Effective Operating Zone with air exchange. The CO cloud is still concentrated in a small area. Note the "Dividing Zone" shown above, this is the line where airflow changes direction. In Model 2, air changes are cut in 1/2 as little or no CO crosses the Dividing Zone to be exhausted.



Notice the CO concentration and the Effective Operating Zone (Expanded to the Dividing zone) with air exchange and forced air mixing. The CO cloud is still concentrated on one side of the Dividing zone. Note the "Dividing Zone" shown above, this is the line where airflow changes direction. In Model 3, air changes are cut in 1/2 as little or no CO crosses the Dividing Zone to be exhausted.



Notice the CO concentration and the Effective Operating Zone (Expanded through the Dividing zone to the second vent) with air exchange and forced air mixing through the dividing Zone. The CO cloud is diluted with the available air in the building. Note the "Dividing Zone" shown above, this is the line where airflow changes direction. In Model 4, air changes are full as forced air mixing has moved and mixed the CO between all air zones.





## Air Quality Monitoring

**Warning** - Deployment of a monitor/detector is essential for the safe operation of any equipment that has the potential to produce CO. CO sensors/detectors became available on the mass market around 1978. The main differences between the technologies involved are battery or electric and Semiconductor or Biomimetic types. Detectors for carbon monoxide (CO) are manufactured and marketed for use in either the home or occupational industrial settings. The detectors for home use are devices that will sound an alarm before CO concentrations in the home become hazardous. There is an Underwriters Laboratories, Inc., performance standard (UL 2034) for residential CO detectors. Detectors currently available on the market are battery-powered, plug-in, or hardwired. Some models incorporate a visual display of the parts per million (ppm) concentration of CO present in the home. For more information on CO detectors for home use, call the Consumer Product Safety Commission:

Commission Hotline at 1-800-638-2772

CO detectors for use in residential settings are not designed for use in workplace settings. Monitoring requirements in an occupational setting are different from monitoring requirements in the home. In the workplace, it is frequently necessary to monitor a worker's exposure to carbon monoxide over an entire work shift and determine the time-weighted average (TWA) concentration of the exposure. It may also be necessary to have carbon monoxide monitors with alarm capabilities in the workplace. The direct reading instruments are frequently equipped with audio and/or visual alarms and may be used for area and/or personal exposure monitoring. Some have microprocessors and memory for storing CO concentration readings taken during the day. It is significant to note that some of the devices mentioned for workplace CO monitoring are not capable of monitoring TWAs, and not all are equipped with alarms. The appropriate monitor must be chosen on an application-by-application basis. For more information on the availability of workplace CO monitors or their application, call the National Institute for Occupational Safety and Health at 1-800-35-NIOSH (1-800-356-4674).

### Room Size and Time Estimations for Parts Per Million (PPM) CO

The fundamental factors in area CO levels involve:

The concentration and volume of CO production;

The size of the area;

The amount of air exchange if any;

The amount of time CO is produced;

Multiplying length, width, and height will determine the volume or cubic feet in a room. So an empty building 100ft by 100ft with a 10ft ceiling would be 100,000 cubic ft. in size. Any material that is in the room and takes space would reduce the cubic feet.

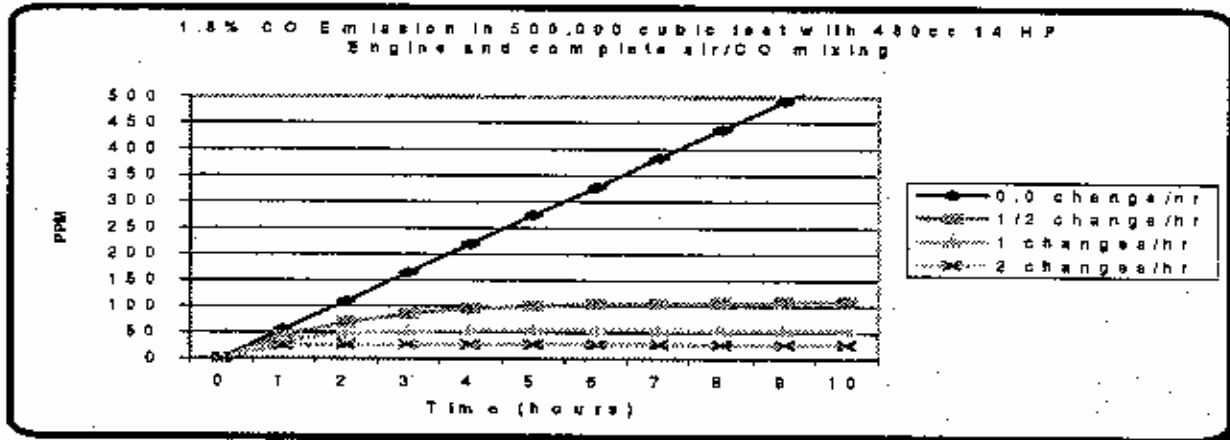
\* Air exchange is defined as the exhausting of internal air to the external atmosphere.

The Graph above depicts the relationships of air exchange to time and CO ppm with cubic feet area and percent CO emissions remaining constant.

**8 Hour Time Weighted Average (OSHA Method)**

1.5 %CO 100,000cf	Hours Operation	1	2	3	4	5	6	7	8
TWA (OSHA Method)	0 change/hr	34	103	206	343	514	719	959	1232
	1/2 change/hr	27	70	124	183	246	311	378	445
	1 changes/hr	22	51	84	118	152	186	220	255
	2 changes/hr	15	32	49	66	83	100	117	135

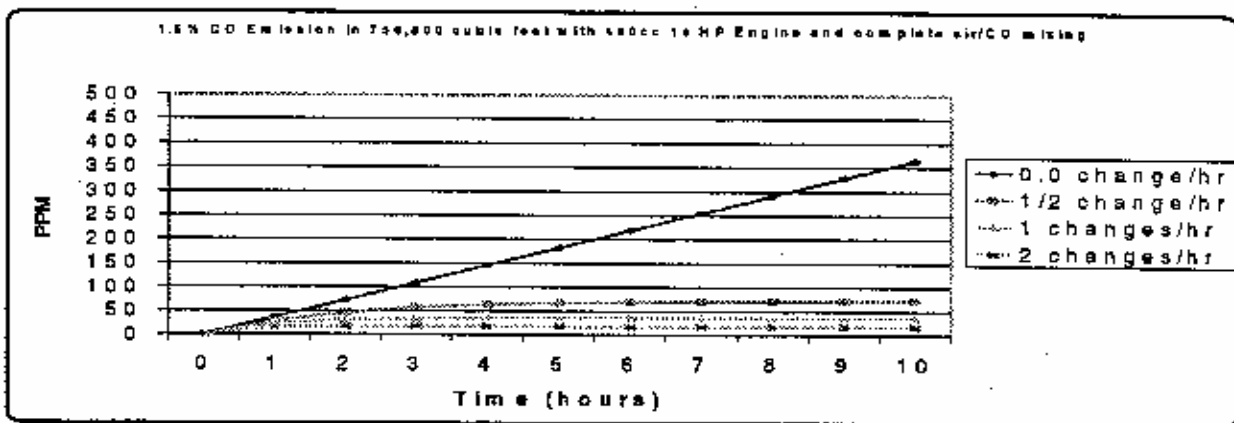
Based on the CO production rates shown above the TWA would be exceeded in a 100 x 100 x 10 foot (empty) space after 3 hours with 2 air changes per hour. (Assumes no additional CO exposure during 8 hour time period)



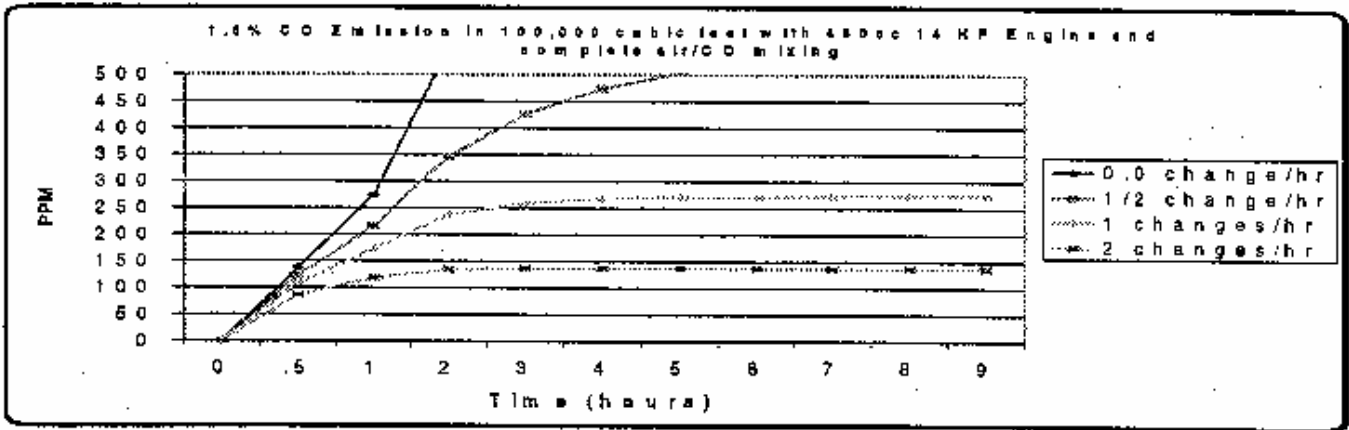
**8 Hour Time Weighted Average (OSHA Method)**

1.5 %CO 500,000cf	Hours Operation	1	2	3	4	5	6	7	8
TWA (OSHA Method)	0 change/hr	17	51	103	171	257	350	479	616
	1/2 change/hr	14	35	62	92	123	156	189	223
	1 changes/hr	11	26	42	59	76	93	110	127
	2 changes/hr	7	16	24	33	42	50	59	67

The Graph above depicts the relationships of air exchange to time and CO ppm with cubic feet area and percent CO emissions remaining constant.



Based on the CO production rates shown above the TWA would be exceeded in a 100 x 500 x 10 foot (empty) space after 6 hours with 2 air changes per hour. (Assumes no additional CO exposure during 8 hour time period).



The Graph above depicts the relationships of air exchange to time and CO ppm with cubic feet area and percent CO emissions remaining constant.

#### 8 Hour Time Weighted Average (OSHA Method)

1.5 %CO 750,000cf	Hours Operation	1	2	3	4	5	6	7	8
TWA (OSHA Method)	0 change/hr	5	14	27	46	69	96	128	164
	1/2 change/hr	4	9	16	24	33	42	50	59
	1 changes/hr	3	7	11	16	20	25	29	34
	2 changes/hr	2	4	7	9	11	13	16	18

Based on the CO production rates shown above the TWA would not be exceeded in a 100 x 750 x 10 foot (empty) space after 8 hours with 2 air changes per hour. (Assumes no additional CO exposure during 8 hour time period)

#### Maintenance of Equipment



Warning - The proper maintenance of equipment is vital to safe operation. LPG engines are dependent on engine tune up, and air filter replacement CO concentration (production) skyrockets when the air to fuel ratio becomes fuel rich. Follow the recommended Maintenance Schedule for the engine found in the Engine Operator/Owner Manual as well as the Maintenance And Adjustments schedule found in the Propane Floor Equipment Operator's Manual that were supplied with the equipment. Additional manuals may be obtained by contacting;  
**Onyx Engineered Products at; 1-800-858-3533 or write to: Onyx Engineered Products, 137 Cross Center Dr., Ste. 246, Denver, NC 28037**

#### CO Safety Equipment Available

- Three-way type catalytic converter to scrub CO, Hydro Carbons (HC), and Nitrous Oxide (NOx) from the engine exhaust providing the lowest possible emissions
- High cubic feet per minute (PM) fans (forced air mixing)
- Digital combustion analyzers for tail pipe emissions monitoring

## SPECIFICATIONS


<b>Model</b>	2113E	2113ECL	2113BCAT	2117B	2117BCAT	2717B	2717BCAT
<b>Part Number</b>	08001B	08002B	08012B	08989B	08945B	08987B	08947B
<b>Pad Size</b>	21" (53 cm)					27" (68 cm)	
<b>Engine</b>	13 hp Twin-V Kawasaki					17 hp Twin-V Kawasaki	
<b>Catalytic Muffler</b>	No	No	Yes	No	Yes	No	Yes
<b>Carb Gard</b>	No	No	No	No	No	No	No
<b>Clutch</b>	None	Centrifugal	None	None	None	None	None
<b>Pad Speed</b>	2100 RPM					1500 RPM	
<b>Propane Tank</b>	20 lb. (9.1 kg) Capacity, 80% Safety Fill						
<b>Auto Fuel Shutoff</b>	Yes						
<b>Low Oil Shutdown</b>	Yes						
<b>Hour Meter</b>	Yes						
<b>Sound Level</b>	87 – 89 dB (A)						
<b>Productivity Rate</b>	25,000 ft <sup>2</sup> /hr (2,322 m <sup>2</sup> /hr)					33,000 ft <sup>2</sup> /hr (3,066 m <sup>2</sup> /hr)	
<b>Agency Approvals</b>	EPA plus UL Approved Propane Components						
<b>Carb Certified</b> (California Air Resource Board)	No	No	Yes	No	Yes	No	Yes
<b>Weight</b>	195 lbs.	198 lbs.	208 lbs.	220 lbs.	223 lbs.	242 lbs.	245 lbs.
<b>Dimensions:</b>							
<b>Length</b>	51.5" (131.8 cm)					59" (149.9 cm)	
<b>Width</b>	23.3" (59 cm)					29.3" (74.4 cm)	
<b>Height</b>	43" (109.2 cm)					43" (109.2 cm)	
<b>Warranty</b>	2 Years Parts & Labor						


## OPERATOR SAFETY INSTRUCTIONS


WARNING 








AVERTISSEMENT 

ADVERTENCIA 

 **DANGER** means: Severe bodily injury or death can occur to you or other personnel if the **DANGER** statements found on this machine or in this Owner's Manual are ignored or are not adhered to. Read and observe all **DANGER** statements found in this Owner's Manual and on your machine.

 **WARNING** means: Injury can occur to you or to other personnel if the **WARNING** statements found on your machine or in this Owner's Manual are ignored or are not adhered to. Read and observe all **WARNING** statements found in this Owner's Manual and on your machine.

 **CAUTION** means: Damage can occur to the machine or to other property if the **CAUTION** statements found on your machine or in this Owner's Manual are ignored or are not adhered to. Read and observe all **CAUTION** statements found in this Owner's Manual and on your machine.

-  **DANGER:** Failure to read the Owner's Manual prior to operating or attempting any service or maintenance procedure to your ONYX machine could result in injury to you or to other personnel; damage to the machine or to other property could occur as well. You must have training in the operation of this machine before using it. If you or your operator(s) cannot read English, have this manual explained fully before attempting to operate this machine.
-  **DANGER:** Moving parts of this machine can cause serious injury and/or damage. Do not allow contact of clothing, hair, hands, feet, or other body parts with the rotating pad. Keep other people away from the machine while it's in operation.
-  **DANGER:** Injury to the operator or bystanders could occur if the machine's power is on while changing the buffing pad or making machine adjustments. Never try to change the buffing pad or attempt to make machine adjustments while the engine is running.
-  **DANGER:** Cigarette lighters, pilot lights and any other sources ignition can create an explosion if it comes in contact with propane. Propane is a highly flammable fuel. All sources of ignition should be extinguished or removed entirely if possible from the work area. **DO NOT SMOKE** in the vicinity of a propane buffer.
-  **DANGER:** This machine emits carbon monoxide. Asphyxiation could occur if the unit is used in an area with poor or inadequate ventilation. Operate machine in a well ventilated area only. If a headache develops, shut off the machine. Have it checked for carbon monoxide emissions by a qualified shop before using it again.
-  **DANGER:** Dangerous carbon monoxide emissions from this machine are greatly increased due to a dirty combustion air cleaner. Follow the engine's manufacturer's air cleaner service instructions.
-  **DANGER:** Propane is highly flammable. If you smell propane gas, shut off the machine and move it outside. Determine the source of the leak before using it again. **NEVER** vent propane gas inside a building. It is **UNLAWFUL** to store a propane bottle inside a building.

- ⚠ **WARNING:** Long or continuous exposure to high noise levels may cause permanent hearing loss. Always wear hearing protection while using this machine.
- ⚠ **WARNING:** Injury to the eyes and/or body can occur if protective clothing and/or equipment is not worn while using this machine. Always wear safety goggles and safety clothing while using this machine.
- ⚠ **WARNING:** Severe burn or injury could occur if you touch the hot muffler or exhaust pipe. Do not touch the hot muffler or exhaust pipe.
- ⚠ **WARNING:** Any alterations or modifications of this machine could result in damage to the machine or injury to the operator or other bystanders. Alterations or modifications not authorized by the manufacturer voids any and all warranties and liabilities.
- ⚠ **WARNING:** To avoid injury or property damage, do not leave the machine where it can be tampered with or started by persons untrained in its operation. You must have training in the operation of this machine before using it. **DO NOT** leave the machine running unattended.
- ⚠ **WARNING:** Substantial damage to the floor, the machine, or personnel may result if the machine is operated with the pad off center, damaged or missing. Do not operate the machine if the pad is off center, damaged or missing.
- ⚠ **WARNING:** Operating a machine that has loose parts could result in injury or property damage. Do not operate this machine if there are loose parts. Inspect the machine for loose parts frequently. This will promote safe operation and a long life for the machine.
- ⚠ **WARNING:** Vibration from machinery may cause numbness or tingling of the fingers in certain people. Smoking, dampness, diet, and heredity may contribute to the symptoms. Wearing warm clothing, gloves, exercising and refraining from smoking can reduce the effects of vibration. If the symptoms still persist, discontinue operation of the machine.

## Introduction to the Floor Care Machine

ONYX propane floor care equipment is manufactured in two basic concepts: the buffer/burnisher and the floor stripper. Both of these designs are truly PORTABLE equipment. Propane buffers are best defined as ultra high speed buffers with the staying power to produce superior high gloss floor surfaces. Upon contact with the floor, the buffer should always be kept moving. The speed at which you walk will determine the results that you will obtain. Slower speeds create more heat and therefore more shine. ONYX recommends a moderate pace for best results and safe operation. **NEVER RUN WITH THE BUFFER!!** While a credible shine will still result, the danger of trying to stop the machine in an emergency situation is unacceptable. When buffing, avoid loose tile, electric outlets, door thresholds and any object which may come in contact with the pad other than the floor itself. **REMEMBER**, the pad is turning very rapidly.

Proper care and maintenance will protect your investment and keep your machine serving you for many years to come. It is essential that these issues are closely followed:

**CAUTION:** *Overfilling the propane tank is the **number one cause of problems** with a propane machine. This can cause the engine to run poorly or not at all. In addition, overfilling allows liquid propane to enter the fuel control system, possibly ruining the lock off / regulator assembly. This voids the warranty on affected parts of the machine. To avoid problems, read and understand fully, the section "**Filling and Storing Propane Tanks.**"*

**OVERHEATING** is a major cause of engine failure. Keep the cooling air bonnet filter clean. Protect your machine; don't allow wax dust/lint to build up on the cooling fins of the engine cylinder(s). A good high pressure spray wash directed at the fins when the engine is cold will prevent this from happening.

**LOW OIL AND DIRTY OIL** account for most of the other failures. ONYX recommends changing the oil *on a regular schedule*, perhaps exceeding that which is found in the engine manufacturers' manual. Checking the oil daily, before putting the machine to work, is a good habit to get into and could save you the downtime and expense of replacing the engine due to oil starvation. **AFTER AN OIL CHANGE, MAKE SURE YOU HAVE REPLACED THE OIL SUPPLY BEFORE RESTARTING THE ENGINE.**

## Propane Safety Information

### **Facts About LP Gas - Propane**

As a fuel, Propane gas is unmatched for both safety and dependability. It has been used as a domestic household fuel for over half a century, and for over thirty years as an internal combustion engine fuel. Propane is a highly flammable fuel that is contained under pressure as a liquid. Vaporized gas has a similar explosive force to gasoline and mixtures as low as 2% LP Gas to air may be ignited in a closed environment. Care should be exercised to avoid escaping vapor as it can freeze skin and cause frost bite. Vaporized fuel is heavier than air and will collect in the lowest confined space available.

### **Facts About Propane Tanks**

Propane tanks are constructed according to ASME or Federal DOT #4ET20 pressure safety codes. Including the tank, all valves and fittings are UL Listed. Propane gas is noncorrosive and will not rust the inside of a tank. Should the tank exterior become damaged or rusted, discontinue use. **DO NOT** tamper with tank gauges or safety relief valves. **NEVER** use a tank not intended for use with a propane buffer. **DO NOT** substitute tanks that are used with a barbecue grill, etc. ONYX recommends having propane tanks tested once a year by an authorized National LP Gas Association propane dealer.

The fuel tank is supplied directly from the manufacturer and is void of fuel. This tank must be purged 'at the time of the first fill. Local fuel vendors should be familiar with this operation and will provide this service.

### **Recommended Purge Procedures**

How to purge new LP-Gas Buffer cylinders equipped with the Overfill Prevention Device:

New containers may contain vapor, air, or other contaminants. It is essential that these be removed before filling the container and placing it into service. Air in the container will cause abnormally high pressure, with the result that the pressure relief valve may open. *Air in the system is also likely to cause lean mixture, making ignition difficult.* If a cylinder is suspected of being depressurized or open to the atmosphere for a period of time, it must be re-purged as if it were a new container.

To purge a container, the following steps should be taken.

Purging of containers should be performed in an approved area (see NFPA 05 8) using NPGA #13 3.89(a) procedure.

1. Determine if the container pressure is zero. Should the cylinder contain only pressurized air, the air may be vented directly to the atmosphere through the service valve using an adapter and the outage valve.
2. Pressurize the container to approximately 15 psig with LP-gas vapor. *Never purge with liquid LP-gas!* To do so will cause the moisture vapor to chill and remain in the cylinder. LP gas liquid also expands 270 times to vapor making the purge process ineffective. *Use LP-gas vapor only!*
3. Make the connection to the quick coupler (A purge manifold system is most effective). Fully open the cylinder service valve as well as the outage valve. Vent to a safe atmosphere. A vent stack is recommended.
4. On Overfill Prevention Device cylinders, the purge time is increased as a result of the new valve design. Opening the outage valve will help improve the speed of the purge.
5. Repeat #3 and #4 for a total of FIVE purges.
6. Repressurize the container with odorized LP-gas vapor to 15 psig.
7. The container is now ready to be filled with LP-gas.
8. Once filled, check all fittings and tank openings for leaks using an approved leak detector solution.
9. The container is now ready to be placed in service. Add DOT and OSHA labels.

### **Symptoms of a non-purge cylinder:**

- Relief valve opens due to over pressurized cylinder creating hazardous situation.
- Moisture in the cylinder.
- Buffer operates initially but shuts down when fuel mixture becomes too lean.

### **Refilling & Storing Propane Tanks**

The NFPA Technical Committee prohibits the storage of such containers in buildings. There are few exceptions to this rule. In other words, propane tanks should **NOT** be stored in buildings used by the public or frequented by anyone passing through or who is working in the building. Full or empty, never leave tanks in small enclosed areas. The tank(s) must be in a secure, tamper-proof storage enclosure that provides safety from accident or vandalism. **PROPANE TANKS SHOULD ALWAYS BE TRANSPORTED, INSTALLED AND USED IN AN UPRIGHT POSITION.**

**OVERFILLING PROPANE TANKS IS HAZARDOUS.** The tank should **NEVER** be completely filled with liquid propane. 80% of the total tank volume is to be considered at *ALL* times as full. EXPANSION MUST BE ALLOWED FOR. Propane Buffer tanks are equipped with a fixed liquid level gauge which contacts the liquid level at 80% of container capacity, allowing 20% for expansion. The top part of this device must be unscrewed counterclockwise so that vapor can escape through the small hole it its side, as the tank is refilled. When the escaping vapor starts to give way to liquid, the device must be quickly closed and the propane nozzle turned off.

**“IMPORTANT”** The engine and the fuel system on your floor care machine are designed to run on fuel vapor, not fuel liquid. Overfilling the propane tank will result in damaging the lock off and/or regulator. This will **VOID** the **WARRANTY** on these components.

## **How to Operate the Machine**

### **Preparing The Machine For Use**

BEFORE using any type of powered equipment, proper safety dictates you should visually inspect it.

1. Adjust the HANDLE to a comfortable height and tighten the bolts.
2. BONNET FILTER - Make sure the bonnet air filter atop the engine is clean. It should be changed hourly and thoroughly cleaned before reuse.
3. Check the engine OIL LEVEL. \*\* HONDA - **DO NOT** screw the dipstick in to get reading. \*\*KAWASAKI - **DO** screw the dipstick in to get reading.
4. Fill the tank following the instructions as given under the previous heading: "Refilling And Storing Propane Tanks."
5. PAD AND PAD HOLDER - Inspect the condition of the pad and pad holder. Is there a pad? Is it properly attached? What is its condition? Ensure pad is clean and has at least a thickness of 1/3 inch. **ALWAYS turn off engine to clean or replace pad.**
6. TANK and FUEL LINES - The tank has already been covered but do the fuel lines show any sign of wear and tear, such as cracks or any corrosion?  
Screw the brass fuel line fitting onto the tank service valve hand tight only. This connection **MUST** be secure because the service valve has a safety valve inside it which will only open if the brass fuel line fitting is **COMPLETELY** seated into the service valve.

### **Starting the Engine**

1. Plug in 110 volt starter cord on models so equipped.
2. We recommend setting the throttle on models with 110 volt starter to the following positions:  
\*\* HONDA - Set throttle/choke to the "choke" position. \*\*KAWASAKI - The KAWASAKI single cylinder and Kawasaki twin cylinder engines are designed to be started in the IDLE throttle position. This creates a vacuum necessary to open the lock-off valve inside the regulator. Actuation of the throttle lever will keep the lock-off valve from opening and the engine from getting fuel so the engine will not start. Proper maintenance will insure easy starting.
3. Open (counterclockwise) the service valve on the propane tank about one and a half turns.



4. Ensure the buffer is tilted back so that the pad is off the floor on all machines without a clutch.
5. Engage starter for a **MAXIMUM** of 5 to 6 seconds or until the engine fires. Serious starter damage will result if this is exceeded and the warranty may not apply.
6. Open the "choke" until the engine runs smoothly. (HONDA ONLY)
7. Operate the engine at half throttle for approximately two minutes for proper warm-up. Then advance to full throttle for best results.

**NOTE:** If the engine refuses to start, see the Troubleshooting Guide.

### **Stopping The Engine**

1. Close (clockwise) the service valve on the propane tank.
2. ALWAYS allow the engine to run until it stops from lack of fuel.
  - ONLY IN AN EMERGENCY should the "stop" position on a HONDA throttle or the "kill switch" on a KAWASAKI.
3. Disconnect the fuel line from the tank.
4. **REMEMBER**, when you are finished with the machine, store the propane tank outside the building, in a **SECURE** place away from heat or direct sunlight.

## **Maintenance and Adjustments**

### **Emission Control Information**

To protect the environment in which we will live, the manufacturer has incorporated **(1)** crankcase emission and **(2)** exhaust emission control systems (EM) in compliance with applicable regulations of the United States Environmental Protection Agency and California Air Resources Board.

**1. Crankcase Emission Control System.** A sealed-type crankcase emission control system is used to eliminate blow-by gases. The blow-by gases are led to the breather chamber through the crankcase. Then, it is led to the air cleaner. Oil is separated from the gases while passing through the inside of the breather chamber from the crankcase, and then returned back to the bottom of crankcase.

**2. Exhaust Emission Control System.** The exhaust emission control system applied to this engine consists of a carburetor and an ignition system having optimum ignition timing characteristics. The carburetor has been calibrated to provide lean air/fuel mixture characteristics and optimum fuel economy with a suitable air cleaner and exhaust system.

**Tampering w/Emission Control System Prohibited:** Federal law and California State law prohibits the following acts or the causing thereof: **(1)** the removal or rendering inoperative by any person other than for purposes of maintenance, repair, or replacement, of any device or element at design incorporated into any new engine for the purpose of emission control prior to its sale or delivery to the ultimate purchaser or while it is in use, or **(2)** the use of the engine after such device or element of design has been removed or rendered inoperative by any person.

Among those acts presumed to constitute tampering involve the parts/systems listed below:

- >Carburetor and internal parts
- >Spark plugs
- >Magneto or electronic ignition system
- >Fuel filter element
- >Air cleaner elements
- >Crankcase
- >Cylinder heads
- >Breather chamber and internal parts
- >Intake pipe and tube

## **General Maintenance and Adjustments**

1. *Fuel control system.* To ensure personal safety, adjustments should ONLY be made by a qualified LPG system technician or an authorized service center, using an exhaust gas analyzer. Do not operate the machine if carbon monoxide levels exceed OSHA standards.

2. *Pad replacement.* Tilt the machine back on its rear caster to reach the pad centering device. Turn the outer ring counterclockwise to remove it. Remove the old pad. Install the new pad by carefully centering it against the "harpoon hook" plastic gripper. Replace the center locking ring. Check rotation of the pad driver. Eccentricity of the pad should not exceed 1/4 of an inch.

3. *Belt replacement.* Tilt the machine on its side (observing the following precautions) and block securely.  
\*\*KAWASAKI and HONDA single cylinder - **Do not turn the carburetor side down.** Oil will enter the intake manifold and may cause engine damage. Turn the machines with the exhaust side down.

\*\*KAWASAKI twin cylinder. Do not tilt the machine on its nose as this is where the carburetor is located. It is okay to turn this model on either its left or right side.

(a) Remove pad.

(b) Use a suitable wrench to secure the top of the shaft and spin off the pad driver.

(c) Remove old belt carefully and completely.

(d) Install new belt and adjust the pressure of the tensioner

(e) Reinstall pad driver.

## **Recommended 25 Hour Maintenance Items**

>Change engine oil.

>Check pad driver for loose parts.

>Check belt for wear or slippage.

>Check engine pulley for tightness.

>Check wheel bolts.

>Check engine mount bolts.

>Check handle bolts.

>Check for leakage of engine oil at the various seals.

## **Recommended Oil Change Intervals**

Do not exceed the 25 hour oil change interval. Oil changes more frequent than 25 hours will give even longer engine life. In any case, always use 30HD or 10W30 engine oil with all of the following ratings: SF, SG, and CC. The various engines have different oil sump capacities. Make sure the oil level is maintained at the "FULL" level.

## **Recommended 200 Hour Maintenance**

Return machine to authorized service center for overall checkup.

## PROCEDURE TO CHANGE MODES OF OPERATION FOR STRIPBUFF MACHINE

1. Turn the machine over onto its right side (from the operator's position) with the carburetor side UP on HONDA models.
2. Remove the pad holder or brush by spinning it off of the shaft.
  - a. You may have to loosen the belt tensioner by loosening the tensioner bolt about  $\frac{3}{4}$  to one turn, which is located on the top of the frame, near the front left corner of the engine. Push the tensioner, which is mounted below the frame, towards the center of the machine.
3. Work the belt off of the small pulley on the engine shaft, then off the larger pulley on the front end.
4. Make sure you place the belt on the proper pulley on the belt tensioner to line up the upper and lower set of pulleys.
  - a. STRIP MODE – LOWER SET OF PULLEYS: Place belt on lower pulley on engine shaft and start the belt on the lower pulley on the front end. Turn the front end pulley counterclockwise and the belt will slip into place.
  - b. BUFF MODE – HIGHER SET OF PULLEYS: Place the belt on the front end pulley first; the higher pulley next to the frame. Start to work the belt onto the higher pulley on the engine shaft. If you have trouble working the belt on, try using a 5/8" socket on the engine shaft bolt and turn clockwise only. This will enable you to turn the shaft easily.
  - c. Make sure the belt is on the proper tensioner pulley. Take your 15/16" wrench or socket and place it in place on the tensioner. As you tighten the belt tensioner, from the top of the frame, turn your 15/16" wrench or socket until you achieve a proper (firm) tension on the belt.
5. Spin the pad holder or the stripping brush, depending on the application, back onto the shaft.
  - a. The large 10" grey wheels should be removed for the buffing mode, by removing the axle clips at each end of the axles, then the washers and finally the wheel assemblies. The axle may be left in place.

If done correctly, this procedure should take no longer than 10 minutes.

**REMEMBER:** It may be entirely unnecessary to loosen the tensioner to accomplish the changeover. Experiment at first, without loosening the tensioner, and see if you can achieve repositioning the belt with the tensioner activated. You'll probably find, as most people do, that it is not only quite possible, but the changeover is much easier as there is far less to do.

### Troubleshooting

When troubles occur, be sure to check the simple causes which at first, may seem too obvious to be considered. For example, a starting problem could be caused by fuel starvation due to an empty propane cylinder or an unopened service valve. If you don't check for this, starter burnout could result.

1. **KAWASAKI. .SURGING IDLE"** - To smooth out the engines' idle characteristics, adjustment is provided by an idle screw on the lower left side of the carburetor as viewed from the operator's position. The screw is bright steel and 1/4" in diameter with a Phillips head on it. Rotating the screw clockwise will increase the idle speed and this should cure the "surging idle". IF IT DOES NOT, call our customer service department for assistance.
2. **EXCESSIVE VIBRATION** - Look for the following possibilities: .
  - (1) Pad is off center. Remove and reinstall.
  - (2) Pad Driver is cracked. (Possibly from striking a curb or bolt in the floor) Replace at once with a new part.
  - (3) Bearings in Front End Assembly are worn. Place machine on its side where the muffler is mounted. Grip Pad Driver and move up, down and from side to side to check for slack in the bearings. If this is the case, then to affect a proper repair, the bearings should be replaced and possibly the shaft.

3. *ENGINE STARTS AND IDLES, BUT WILL QUIT AS THE THROTTLE IS ADVANCED* - It is possible that the propane tank's service valve is faulty. To check for this, close the valve completely and then reopen very slowly while you listen for a "click" when the gas begins to travel through the valve. If you hear this very slight noise, the valve is only partially opening. This allows enough gas through to start and idle the engine, but not enough for full throttle operation. As the throttle is increased, allowing more air to enter the intake, the engine will quit from fuel starvation. Call your dealer or the factory for instructions on where to have the service valve replaced. Meanwhile, to get by, you can continue to open the service valve until you don't hear a "click" and then the engine will run normally. **IF IT DOES NOT**, call our customer service department for further assistance.

4. *THE BUFFER SEEMS TO RUN WELL BUT DIES DOWN WHEN THE PAD IS PLACED ON THE FLOOR*

*OR SOON THEREAFTER* - Check for the same problem as in #3.

5. *EXCESSIVE NOISE FROM UNDER BUFFER* - If this problem has developed after use of the machine from new, then the first place to check is the Tensioner. As a new belt wears in, it naturally stretches a bit and the tensioner will begin to rattle. Place the buffer on its side (**with the muffler down**) and reset by taking up the slack in the belt and tighten the Tensioner.

6. *STARTER BARELY TURNS THE ENGINE OVER or THE SOLENOID JUST CLICKS ON 12 VOLT MODELS –*

The battery is likely low in charge. This can be remedied by recharging the battery using a 12 volt battery charger at 4.12 amperes. The battery is located under the frame at the rear of the buffer. The positive post is the one with the RED cable attached to it. Follow the instructions that came with the battery charger. REMINDER: this will continue to happen unless the buffer's engine is run for sufficient time between starts to recharge the battery.

7. *KAWASAKI V-TWIN – ENGINE BEGINS TO BACKFIRE REGULARLY, SUDDENLY* - Check the sparkplug boots. One is likely cracked, possibly due to contacting a corner of a shelf or a door frame. Remove the sparkplug lead from the sparkplug and replace the boot. The engine should now run smoothly. **IF IT DOES NOT** contact our customer service department for further assistance.

# Warranty

Subject to the conditions and exceptions stated in this warranty, Onyx Engineered Products warrants the product to be free from defects in material and workmanship, under normal use and service, for the periods listed, warranted to the original purchaser, only:

Warranty on Honda Engines is 2 years Internal Engine Parts.

Warranty on Kawasaki Engines is 2 years Internal Engine Parts.

Engine warranties subject to terms and conditions of manufacturer.

At any time within the periods listed, the company will furnish replacement parts. Such replacement part will be furnished to the original owner and charged, including transportation charges, FOB the factory (North Carolina). Only when the original part is returned within thirty (30) days and is found to be defective, the owner will be credited for the cost of the replacement part, labor (as specified in the Warranty Flat Rate Schedule) and normal transportation charges. Parts replaced or repaired under the warranty are fully guaranteed for the remainder of the original warranty period. Any implied warranty granted under State Law, including warranties or merchantability or fitness for a particular purpose are limited to duration to the express warranty granted hereunder.

The manufacturer or manufacturer authorized representative in no event shall be liable for direct, indirect, incidental or consequential damages. Ninety (90) day warranty items include but not limited to belts, bearings, wheels, throttle cables, starters, handgrips, filters, regulators, lock offs and spark plugs.

Some states do not allow limitations on how long an implied warranty last and /or do not allow the exclusion or limitations of incidental damages, so the above limitations and exclusion may not apply to you. "This Warranty is in lieu of any other warranties, expressed or implied, including any implied warranty of merchantability, fitness for a particular purpose, or otherwise under no circumstances will seller be liable for any loss, damage, expense or consequential damage arising in connection with use, or inability to use, seller's products".

**\*\*Ninety (90) days warranty items considered to be wear items including, but not limited to: belts, bearings, wheels, throttle cables, clutches, starters, handgrips, filters, regulators, lock offs and spark pugs.**

The manufacturer reserves the right to make changes and improvements to equipment without notice.

**Instructions and conditions for warranty reimbursement:**

- Order replacement part: Orders will be processed and charged, as normal procedure.
- Call Onyx Engineered Products for R/A number.
- You will need the Engine Serial Number, Machine Serial Number, and Model Number.
- A copy of R/A form will be faxed or emailed to you.
- Return a copy of R/A form with all returns.
- Parts must be returned within 30 days from issuance of R/A Number to be eligible for warranty credit.
- All Warranty Parts will be shipped prepaid UPS Ground, any other method will be at recipient's expense.
- Freight on any Warranty Part after 30 days must be paid for by the Purchaser.
- Warranty travel is limited to 60 miles, for 30 days.
- Warranty labor rate is \$55.00 per hour.
- Credit will be issued upon completion of above steps, at above rates.

**For more information, Please Contact:**

**Onyx Engineered Products at 800-858-3533 or [sales@onyxep.net](mailto:sales@onyxep.net)**

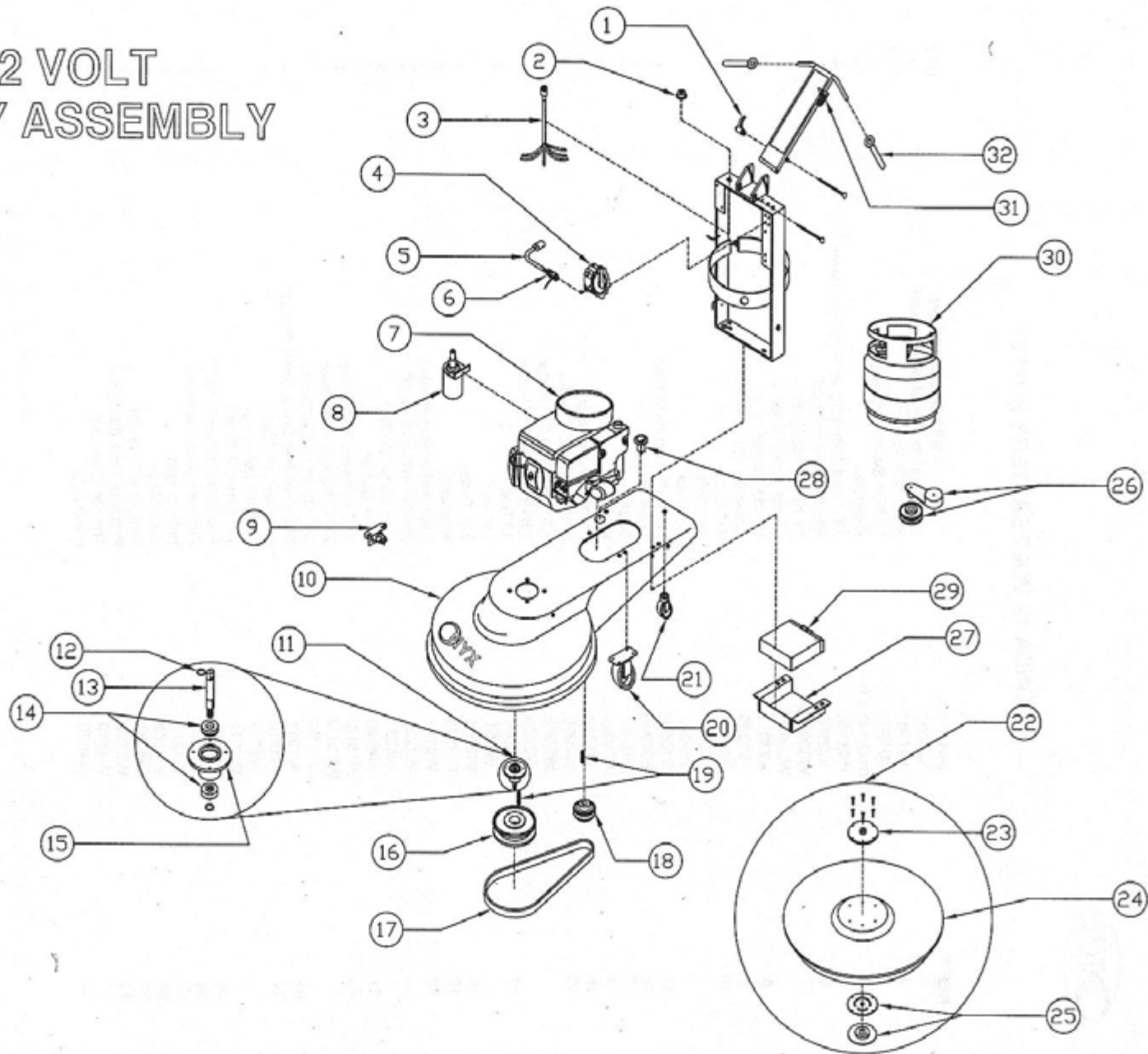
ONYX ENGINEERED PRODUCTS reserves the right to make changes or improvements to its machine without notice.



# SCHEMATICS

**DETAILED DESCRIPTION OF MACHINES**

# HONDA 12 VOLT BATTERY ASSEMBLY

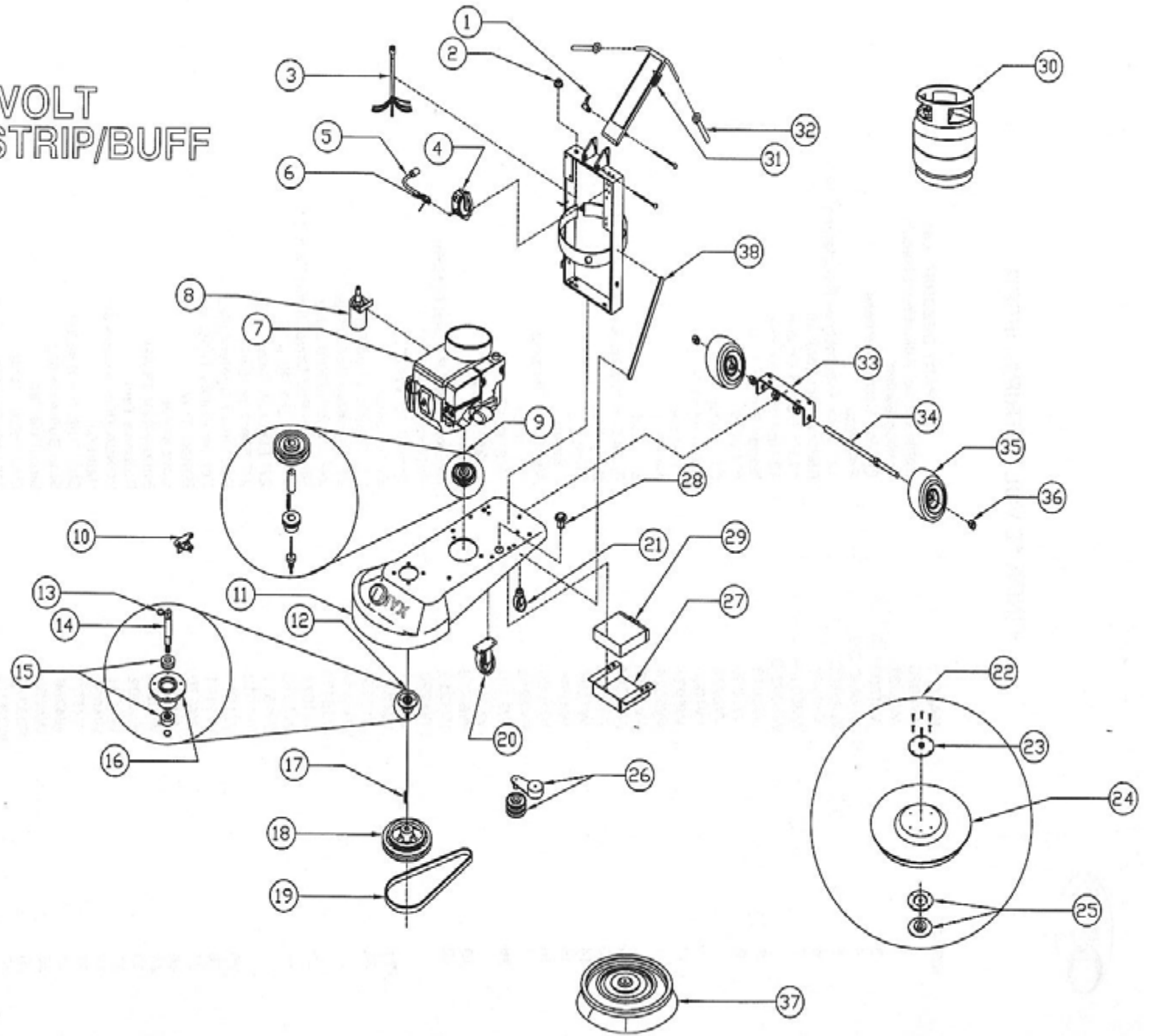




## HONDA 12 VOLT BATTERY BUFFER

REF #	PART #	PART DESCRIPTION	QTY
1	W4020	Bottle Carrier Adjustment Handle	1
2	W1301	Ignition Switch	1
3	W1302	Ignition Switch Harness	1
4	N-51-2A-C-3.0 (W2606)	Regulator	1
5	W2649C	12" Hose Assembly w/ Regulator Valve	1
6	W2608	Electric Fuel Lock-off	1
7	W3001-B	11 Hp Honda Engine	1
	W3002-B	13 Hp Honda Engine	
8	W3012	Honda Starter 12 V	1
9	W1305	Solenoid 12V	1
10	W5021	21" Deck	1
	W5024	24" Deck	
	W5027	27" Deck	
11	W1066A	Front Bearing Assembly	1
12	F68019	Snap Ring	2
13	W1007	Shaft	1
14	W1055	Bearing	2
15	W1060	Aluminum Housing	1
16	W2060	6" Pulley for 21" Buffer	1
	W2075	7.5" Pulley for 24" Buffer	
	W2085	8.8" Pulley for 27" Buffer	
17	WB43	43" Belt	1
	WB51	51" Belt	
18	W2035	3.5" Pulley	1
19	F47913	Keystock	2
20	W4211	Standard Wheel Bracket	2
	W4220	Rubber Wheel 6 x 1.5"	2
	W4221	Axle Kit for W4220	2
21	W4240	Rear Caster	1
22	W1510A	21" Standard Pad Driver	1
	W1511A	27" Standard Pad Driver	
	W1512A	24" Standard Pad Driver	
23	W1011	Standard Pad Driver Shaft Plate 5"	1
24	W1510	21" Flex Lok Riser	1
	W1511	27" Flex Lok Riser	
	W1512	24" Flex Lok Riser	
25	W1501	Pad Driver Center-Lok 3"	1
26	W1101	Fenner Rotary Tensioner	1
27	W4270	Battery Tray	1
28	W4302	Hour Meter	1
29	W4350	Battery 12V 18 AH	1
30	W2502	Propane Tank 80% Steel	1
31	W4110	Throttle Cable 53"	1
32	W4050	Hand Grip	2

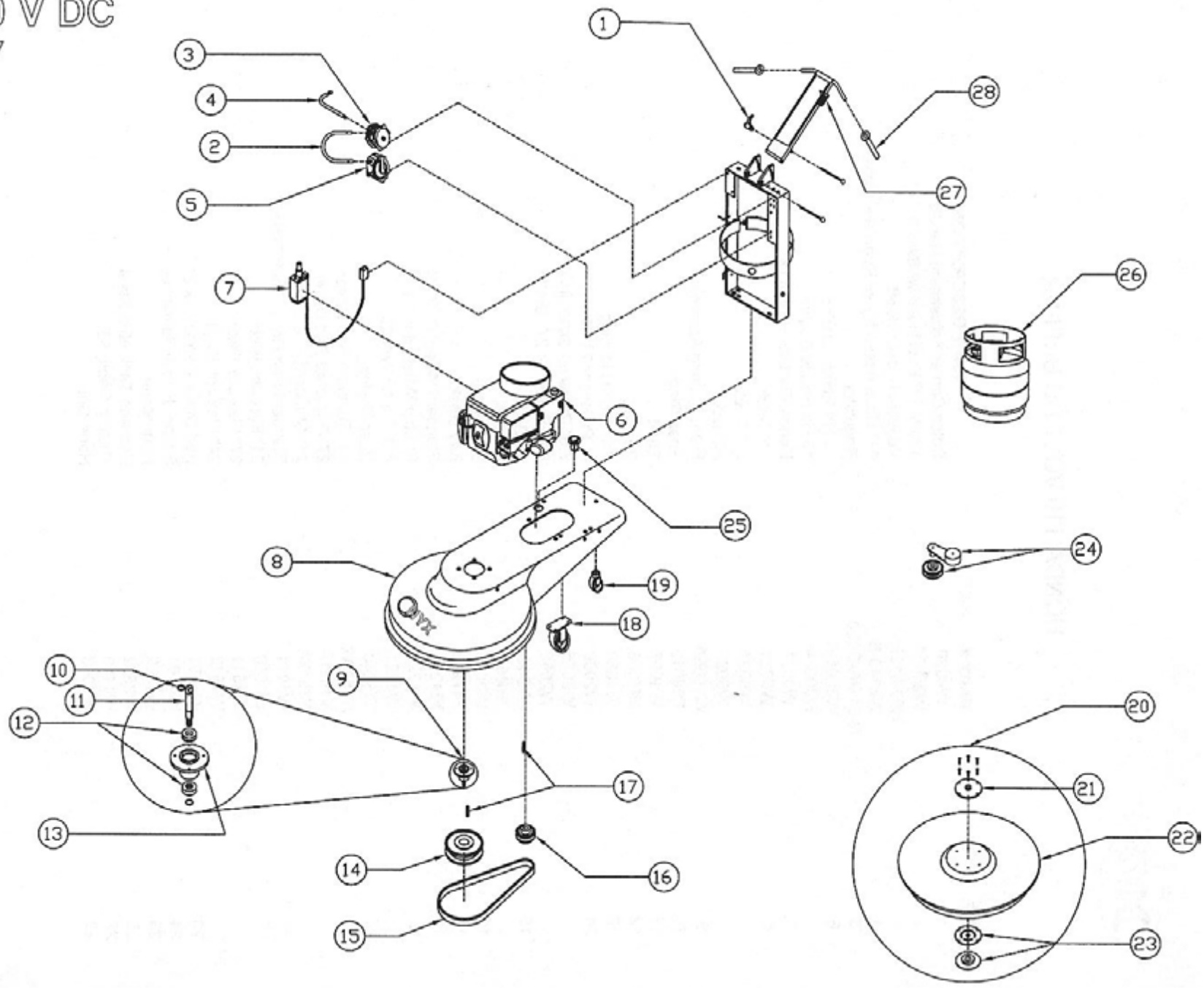
# HONDA 12 VOLT BATTERY STRIP/BUFF



## HONDA 12 VOLT STRIP/BUFFER

REF #	PART #	PART DESCRIPTION	QTY
1	W4020	Bottle Carrier Adjustment Handle	1
2	W1301	Ignition Switch	1
3	W1302	Ignition Switch Harness	1
4	N-51-2A-C-3.0	Regulator	1
5	W2649C	12" Hose Assembly w/ Regulator Valve	1
6	W2608	Electric Fuel Lock-off	1
7	W3001-B	11 Hp Honda Engine	1
	W3002-B	13 Hp Honda Engine	
8	W3012	Honda Starter 12 V	1
9	W2060	6" Pulley	1
	W2025	2.5" Pulley	1
10	W1305	Solenoid 12 V	1
11	W5021	21" Deck	1
	W5024	24" Deck	
	W5027	27" Deck	
12	W1066A	Front Bearing Assembly	1
13	F68019	Snap Ring	2
14	W1007	Shaft	1
15	W1055	Bearing	2
16	W1060	Aluminum Housing	1
17	F47913	Key stock	2
18	W2140	13.8" Pulley	1
	W2125	11.25" Pulley	1
19	WBX56	56" Belt	1
20	W4210	Deluxe Wheel Bracket (5 Hole)	2
	W4220	Rubber Wheel 6 x 1.5"	2
	W4221	Axel Kit for W4220	2
21	W4240	Rear Caster	1
22	W1510A	21" Standard Pad Driver	1
	W1511A	27" Standard Pad Driver	
	W1512A	24" Standard Pad Driver	
23	W1011	Standard Pad Driver Shaft Plate 5"	1
24	W1510	21" Flex Lok Riser	1
	W1511	27" Flex Lok Riser	
	W1512	24" Flex Lok Riser	
25	W1501	Pad Driver Center-Lok 3"	1
26	W1101	Fenner Rotary Tensioner	1
27	W4270	Battery Tray	1
28	W4302	Hour Meter	1
29	W4350	Battery 12V 18 AH	1
30	W2502	Propane Tank	1
31	W4131	HONDA Throttle Cable 31"	1
32	W4050	Hand Grip	2
33	W4260	Strip-Buff Tire Bracket	1
34	W4256	Strip-Buff Axle 5/8"	1
35	W4250	Strip-Buff Tire	2
36	F33376	Zinc Collar 3/4" ID	6
37	W1621A	21" Strip Brush Complete	1
38	W4266	Support Bar	2

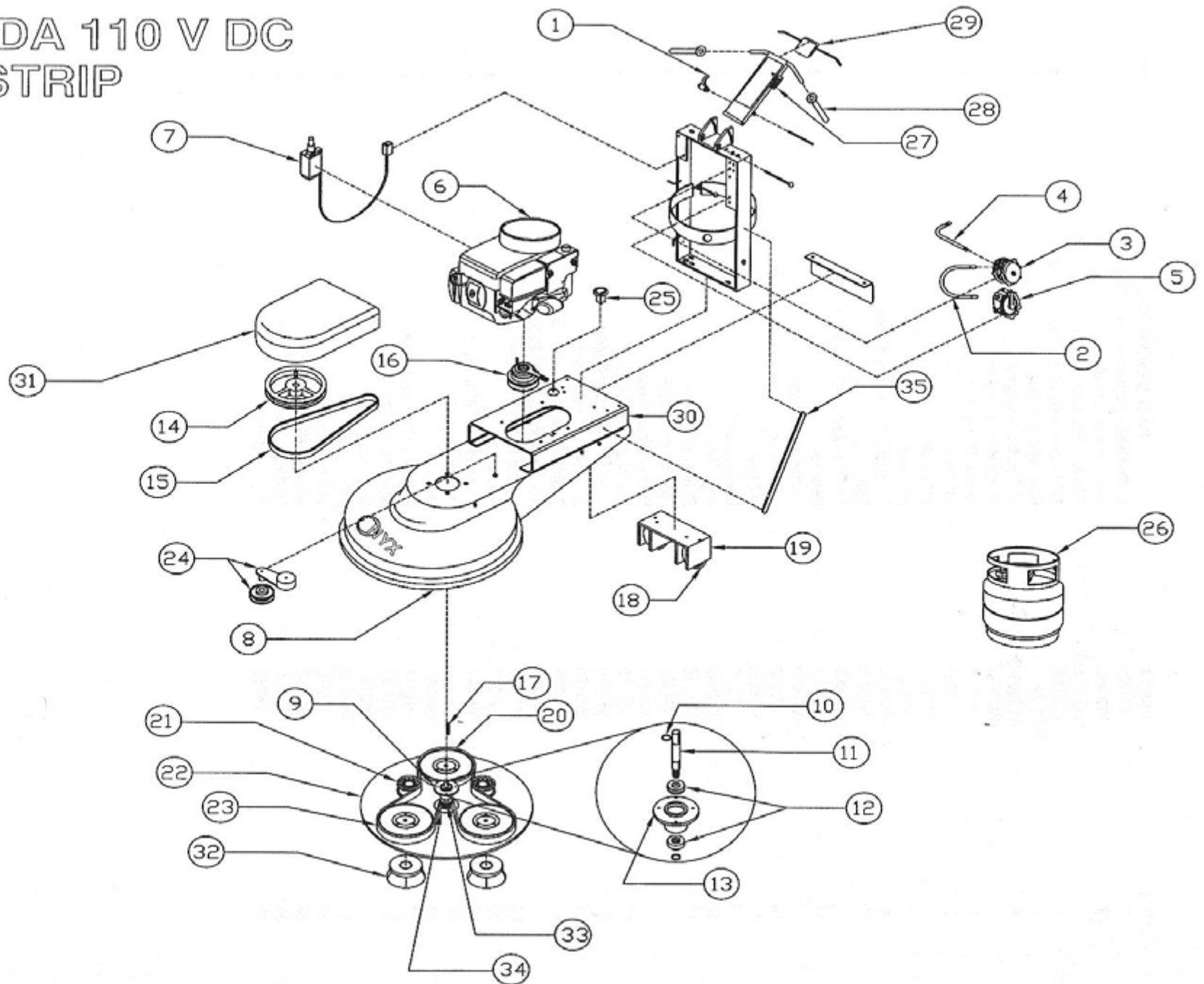
# HONDA 110 V DC ASSEMBLY



## HONDA 110 VOLT DC BUFFER

REF #	PART #	PART DESCRIPTION	QTY
1	W4020	Bottle Carrier Adjustment Handle	1
2	W2649A	110 V 14" Fuel Hose w/ Swivel	1
3	N00-0125A (W2607)	Vacuum Fuel Lock-off	1
4	W2649-B	14" Hose Assembly w/ Regulator Valve	1
5	N-51-2A-C-3.0 (W2606)	Regulator	1
6	W3001-A	11 Hp Honda Engine	1
	W3002-A	13 Hp Honda Engine	
7	W3011	Honda Starter 110 Volt DC	1
8	W5021	21" Deck	1
	W5024	24" Deck	
	W5027	27" Deck	
9	W1066A	Front Bearing Assembly	1
10	F68019	Snap Ring	2
11	W1007	Shaft	1
12	W1055	Bearing	2
13	W1060	Aluminum Housing	1
14	W2060	6" Pulley for 21" Buffer	1
	W2075	7.5" Pulley for 24" Buffer	
	W2085	8.8" Pulley for 27" Buffer	
15	WB43	43" Belt	1
	WB51	51" Belt	
16	W2035	3.5" Pulley	1
17	F47913	Key stock	2
18	W4211	Standard Wheel Bracket	2
	W4220	Rubber Wheel 6 x 1.5"	2
	W4221	Axle Kit for W4220	2
19	W4240	Rear Caster	1
20	W1510A	21" Standard Pad Driver	1
	W1511A	27" Standard Pad Driver	
	W1512A	24" Standard Pad Driver	
21	W1011	Standard Pad Driver Shaft Plate 5"	1
22	W1510	21" Flex Lok Riser	1
	W1511	27" Flex Lok Riser	
	W1512	24" Flex Lok Riser	
23	W1501	Pad Driver Center-Lok 3"	1
24	W1101	Fenner Rotary Tensioner	1
25	W4302	Hour Meter	1
26	W2502	Propane Tank 80% Steel	1
27	W4110	Throttle Cable 53"	1
28	W4050	Hand Grip	2

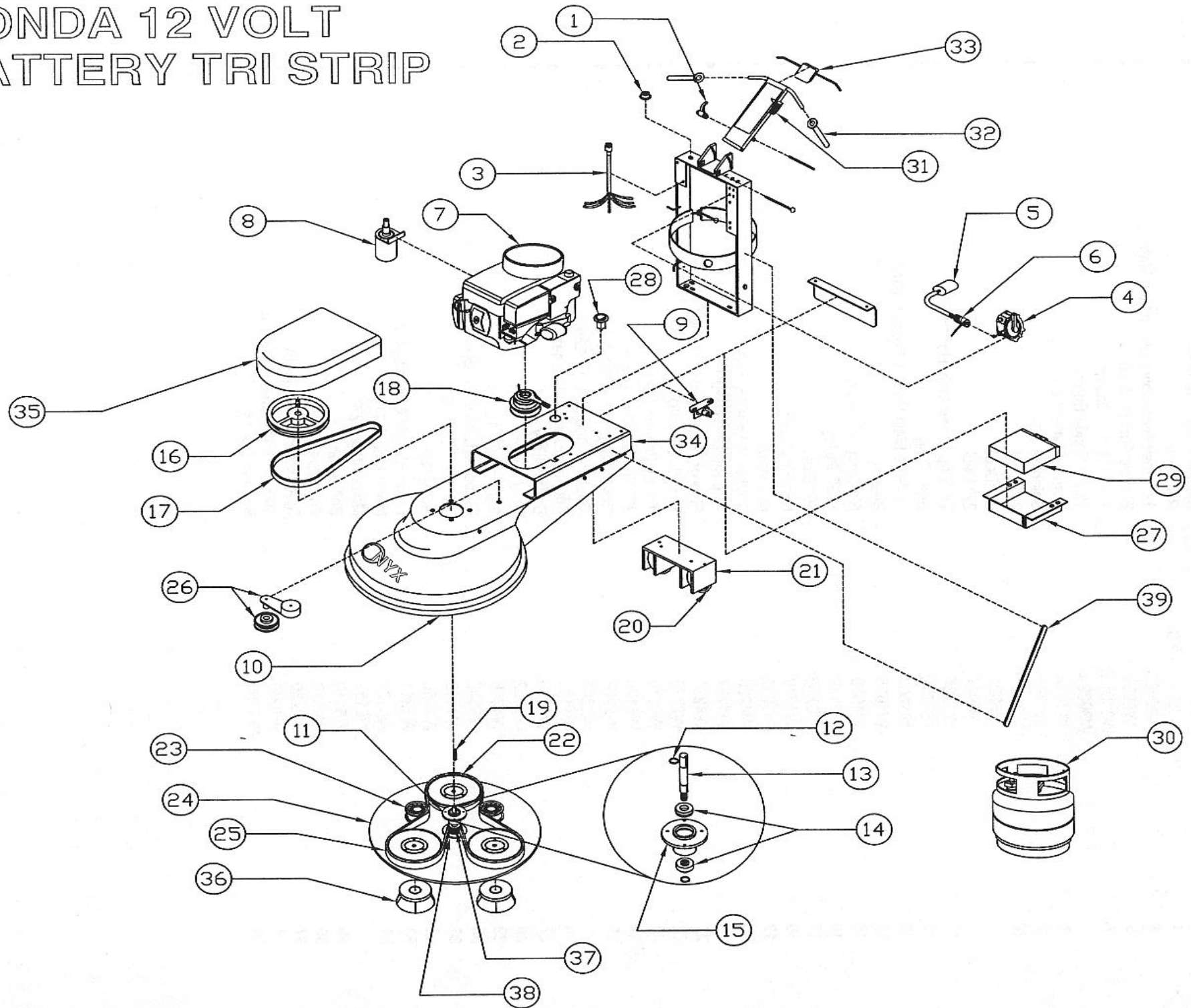
# HONDA 110 V DC TRI STRIP



## HONDA 110 V DC TRI-STRIP

REF #	PART #	PART DESCRIPTION	QTY
1	W4020	Bottle Carrier Adjustment Handle	1
2	W2649A	Fuel Hose w/ Swivel	1
3	N00-0125A	Vacuum Fuel Lock-off	1
4	W2649C	12" Hose Assembly w/ Regulator Valve	1
5	N-51-2A-C-3.0	Regulator (W2606)	1
6	W3001-B	11 Hp Honda Engine	1
	W3002-B	13 Hp Honda Engine	
7	W3011	Honda Starter 110 V DC	1
8	W5021	21" Deck	1
	W5024	24" Deck	
	W5027	27" Deck	
9	W1035	Tri-Strip Lower Main Housing	1
10	F68019	Snap Ring	2
11	W1008	Tri-Strip Main Shaft 1 Piece 1 3/16"	1
12	W1055	Bearing	2
13	W1060	Aluminum Housing	1
14	W2140	13.8" Pulley	1
15	WBX56	56" Belt	1
16	W1210	Electric Clutch	1
17	F47913	Key stock	1
18	W4226	Rubber Wheel 6 x 1.5"	2
	W4221	Axle Kit for W4226	2
19	W4261	Stripper Wheel Bracket	1
20	W2235	Sprocket P90-8M-20	3
21	W2010	Retlow Pulley (Idler Pulley)	2
22	W5120	27" Tri-Strip Disc Driver	1
23	W2208	Double-Sided Belt, TP 2400	1
	W2207	Double-Sided Belt, TP 2200	
24	W1101	Fenner Rotary Tensioner	1
25	W4302	Hour Meter	1
26	W2502	Propane Tank 80% Steel	1
27	W4110	Throttle Cable 53"	1
28	W4050	Hand Grip	2
29	W1311	Eagle Electric Clutch Switch	1
30	W5150	Motor Mount 24"	1
	W5151	Motor Mount 27"	
31	W5110	Belt Guard	1
32	W1610	Tri-Strip Brushes	3
33	W2230	Sprocket P28-8M-30-JA	1
34	W1035	Tri-Strip Lower Main Housing	1
35	W4265	Support Bar 14"	2

# HONDA 12 VOLT BATTERY TRI STRIP

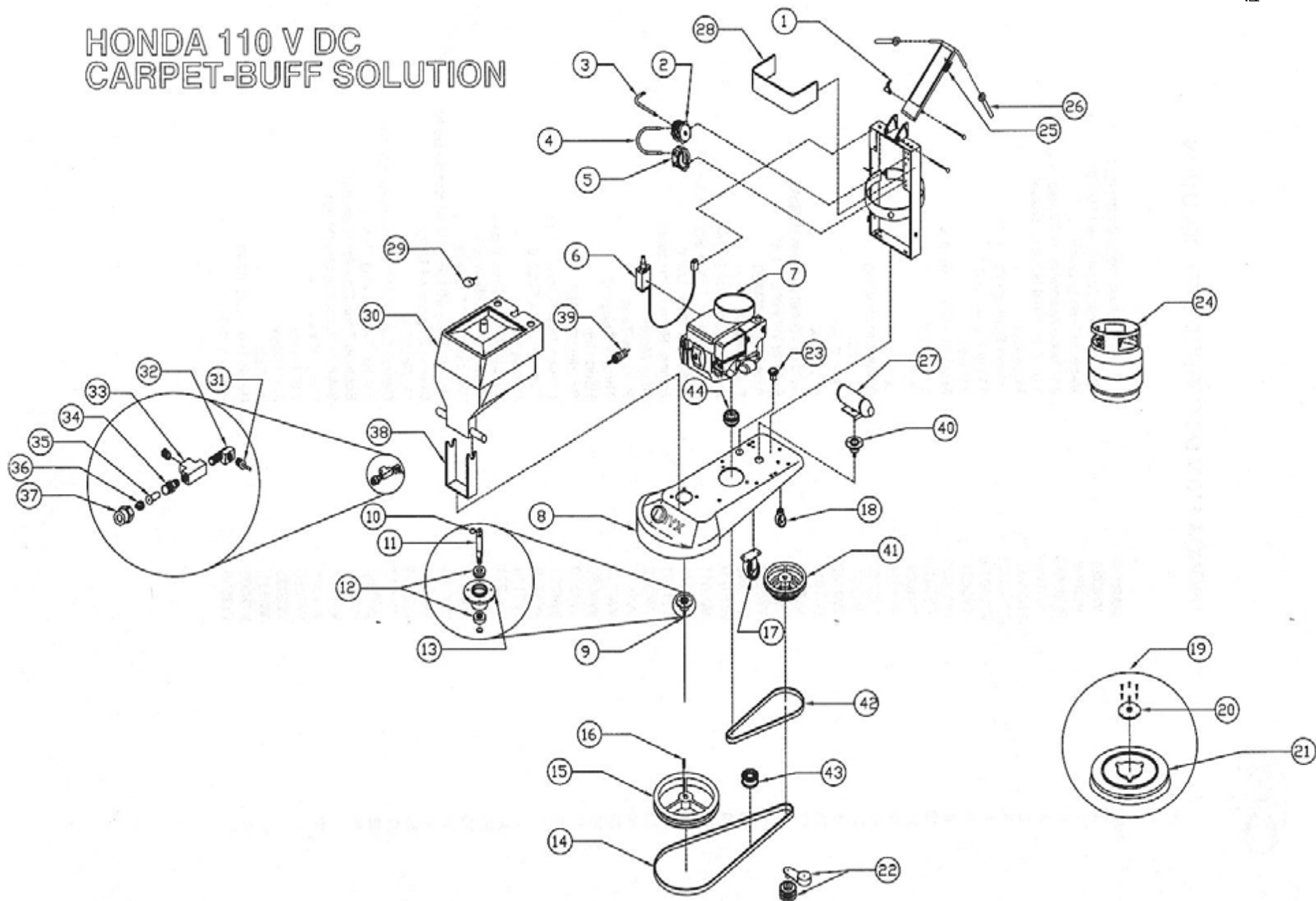




## HONDA 12 VOLT TRI-STRIP

REF #	PART #	PART DESCRIPTION	QTY
1	W4020	Bottle Carrier Adjustment Handle	1
2	W1301	Ignition Switch	1
3	W1302	Ignition Switch Harness	1
4	N - 51 - 2A - G - 3.0	Regulator	1
5	W2649C	12" Hose Assembly w/ Regulator Valve	1
6	W2608	Electric Fuel Lock-off	1
7	W3001-B	11 Hp Honda Engine	1
	W3002-B	13 Hp Honda Engine	
8	W3012	Honda Starter 12 V	1
9	W1305	Solenoid 12V	1
10	W5021	21" Deck	1
	W5024	24" Deck	
	W5027	27" Deck	
11	W1035	Tri-Strip Lower Main Housing	1
12	F68019	Snap Ring	2
13	W1008	Tri-Strip Main Shaft 1 Piece 1 3/16"	1
14	W1055	Bearing	2
15	W1060	Aluminum Housing	1
16	W2140	13.8" Pulley	1
17	WBX56	56" Belt	1
18	W1210	Electric Clutch	1
19	F47913	Key stock	1
20	W4220	Rubber Wheel 6 x 1.5"	4
	W4221	Axle Kit for W4220	4
21	W4261	Stripper Wheel Bracket (5-Hole)	1
22	W2235	Sprocket P90-8M-20	3
23	W2010	Pulley (Idler Pulley)	2
24	W5120	27" Tri-Strip Disc Driver	1
25	W2208	Double-Sided Belt, TP 2400	1
	W2207	Double-Sided Belt, TP 2200	
26	W1101	Fenner Rotary Tensioner	1
27	W4270	Battery Tray	1
28	W4302	Hour Meter	1
29	W4350	Battery 12V 18 AH	1
30	W2502	Propane Tank 80% Steel	1
31	W4110	Throttle Cable 53"	1
32	W4050	Hand Grip	2
33	W1311	Eagle Electric Clutch Switch	1
34	W5150	Motor Mount 24"	1
	W5151	Motor Mount 27"	
35	W5110	Belt Guard	1
36	W1610	Tri-Strip Brushes	3
37	W2230	Sprocket P28-8M-30-JA	1
38	W1035	Tri-Strip Lower Main Housing	1
39	W4265	Support Bar 14"	2

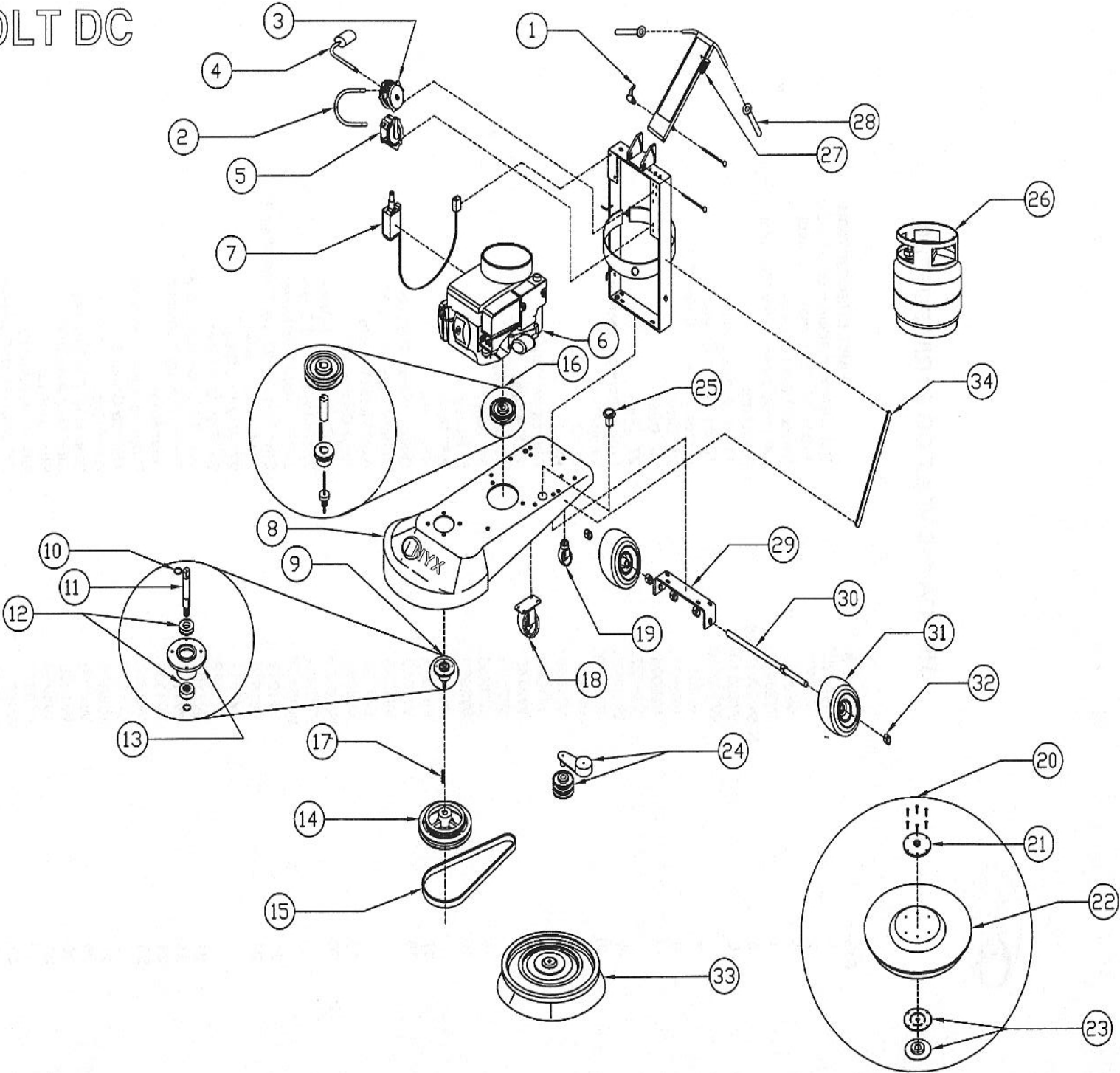
# HONDA 110 V DC CARPET-BUFF SOLUTION



## HONDA 110 V DC CARPET-BUFF SOLUTION

REF #	PART #	PART DESCRIPTION	QTY
1	W4020	Bottle Carrier Adjustment Handle	1
2	W2608	Vacuum Fuel Lock-off	1
3	W2649C	14" Hose Assembly w/ Regulator Valve	1
4	W2649A	110 V 14" Fuel Hose w/ Swivel	1
5	N-51-2A-C-3.0	Regulator	1
6	N00 - 0125A	Honda Starter 110 V DC	1
7	W3001-B	11 Hp Honda Engine	
8	W5021	21" Deck	1
9	W1066A	Front Bearing Assembly	1
10	F68019	Snap Ring	2
11	W1007	Shaft	1
12	W1055	Bearing	2
13	W1060	Aluminum Housing	1
14	WB67	67" Belt	1
15	W2140	13.8" Pulley	1
16	F47913	Key stock	3
17	W4210	Deluxe Wheel Bracket (5 Hole)	2
	W4220	Rubber Wheel 6 x 1.5"	2
	W4221	Axel Kit for W4220	2
18	W4240	Rear Caster	1
19	W1671A	21" Standard Pad Driver	1
20	W1011	Standard Pad Driver Shaft Plate 5"	1
21	W1671	Malish 21" Flex Lok II	1
22	W1101	Fenner Rotary Tensioner	1
23	W4302	Hour Meter	1
24	W2502	Propane Tank	1
25	W4110	Throttle Cable 53"	1
26	W4050	Hand Grip	2
27	W4330	Shurflo 60 PSI Pump	1
28	W4281	Solution Tank Bracket - Upper	1
29	W4340	Solution Tank Strainer	1
30	W5114	Carpet Tank	1
31	F69921	1/8 Male Hose Barb Brass	1
32	F69946	90 Deg Barb Elbow 3/8	1
33	F69826	1/4" Female "T" Brass	1
34	W4336	Delvan Body #01167-1(1/4" Nozzle Body)	1
35	W4338	Delvan Strainer #35288-1	1
36	48984-9	LF Tip 3.0-8	1
37	W4337	Delvan Cap #01165-1(Brass Nozzle Cap)	1
38	W4282	Solution Tank Bracket - Lower	1
39	W4342	Solution Tank Coupler (Female)	1
	W4344	Solution Tank Coupler (Male)	1
40	W2035	Pump Mount	1
41	W2085	8.5" Pulley	1
	W2035	3.5" Pulley	1
42	WB31	31" Belt	1
43	W2006	Pulley (FIP 1875-0750)	1
44	W2036	Pulley 1VP34-1	1

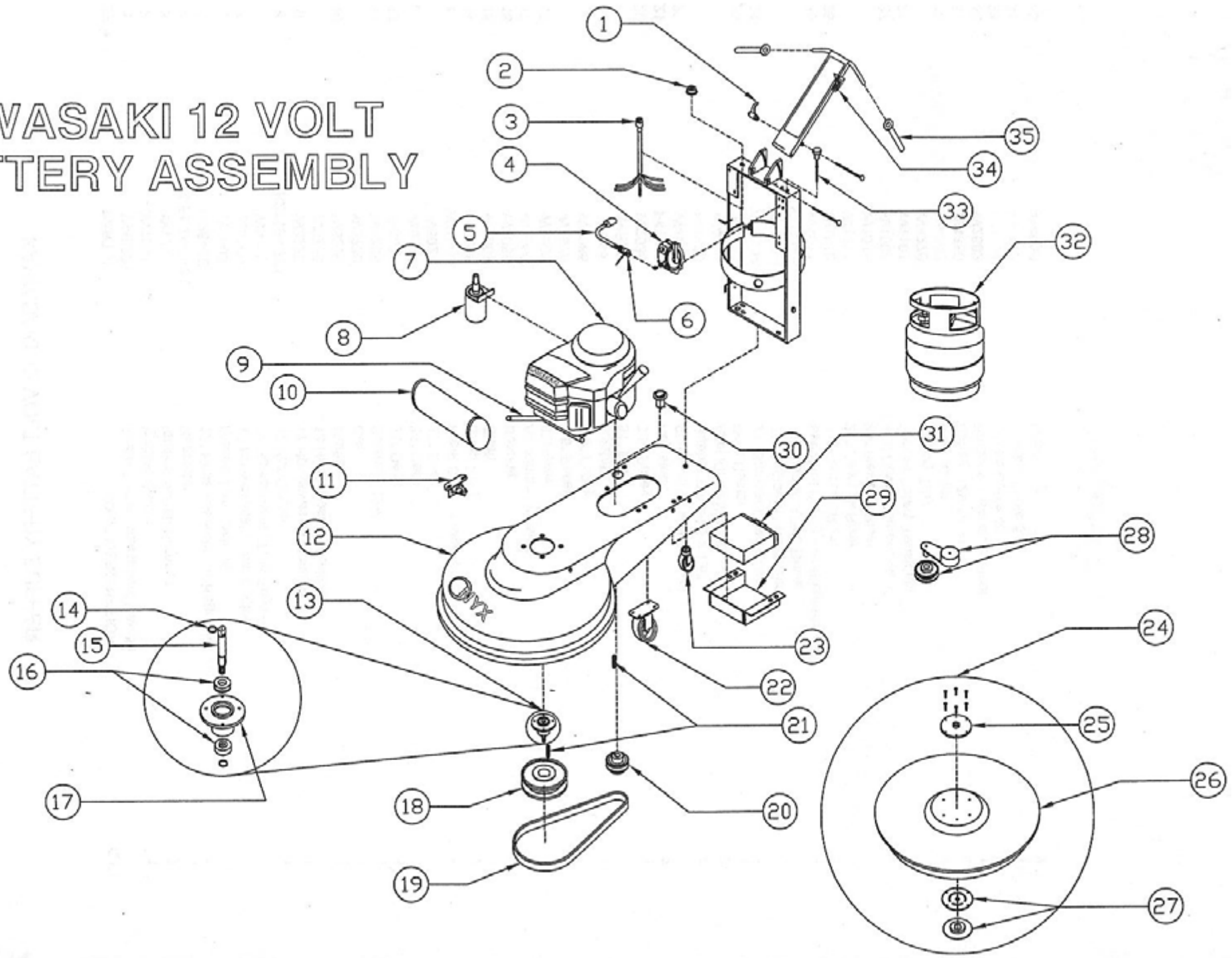
# HONDA 110 VOLT DC STRIP/BUFF



## HONDA 110 VOLT DC STRIP/BUFFER

REF #	PART #	PART DESCRIPTION	QTY
1	W4020	Bottle Carrier Adjustment Handle	1
2	W2649A	110 V 14" Fuel Hose w/ Swivel	1
3	W2608	Vaccum Fuel Lock-off	1
4	W2649B	14" Hose Assembly w/ Regulator Valve	1
5	N-51-2A-G-3.0	Regulator	1
6	W3001-B	11 Hp Honda Engine	1
	W3002-B	13 Hp Honda Engine	
7	W3011	Honda Starter 110 Volt DC	1
8	W5021	21" Deck	1
	W5024	24" Deck	
	W5027	27" Deck	
9	W1066A	Front Bearing Assembly	1
10	F68019	Snap Ring	2
11	W1007	Shaft	1
12	W1055	Bearing	2
13	W1060	Aluminum Housing	1
14	W2140	13.8" Pulley	1
	W2125	11.25" Pulley	
15	WBX56	56" Belt	1
16	W2060	6" Pulley	1
	W2025	2.5" Pulley	1
17	F47913	Key stock	2
18	W4210	Deluxe Wheel Bracket	2
	W4225	Rubber Wheel 6 x 1.5"	2
	W4221	Axel Kit for W4225	2
19	W4240	Rear Caster	1
20	W1510A	21" Standard Pad Driver	1
	W1511A	27" Standard Pad Driver	
	W1512A	24" Standard Pad Driver	
21	W1011	Standard Pad Driver Shaft Plate 5"	1
22	W1510	21" Flex Lok Riser	1
	W1511	27" Flex Lok Riser	
	W1512	24" Flex Lok Riser	
23	W1501	Pad Driver Center-Lok 3"	1
24	W1101	Fenner Rotary Tensioner	1
25	W4302	Hour Meter	1
26	W2502	Propane Tank 80% Steel	1
27	W4110	Throttle Cable 53"	1
28	W4050	Hand Grip	2
29	W4260	Strip-Buff Tire Bracket	1
30	W4256	Strip-Buff Axle 5/8"	1
31	W4250	Strip-Buff Tire	2
32	F33376	Zinc Collar 3/4" ID	6
33	W1621A	21" Strip Brush Complete	1
34	W4266	Support Bar 14"	2

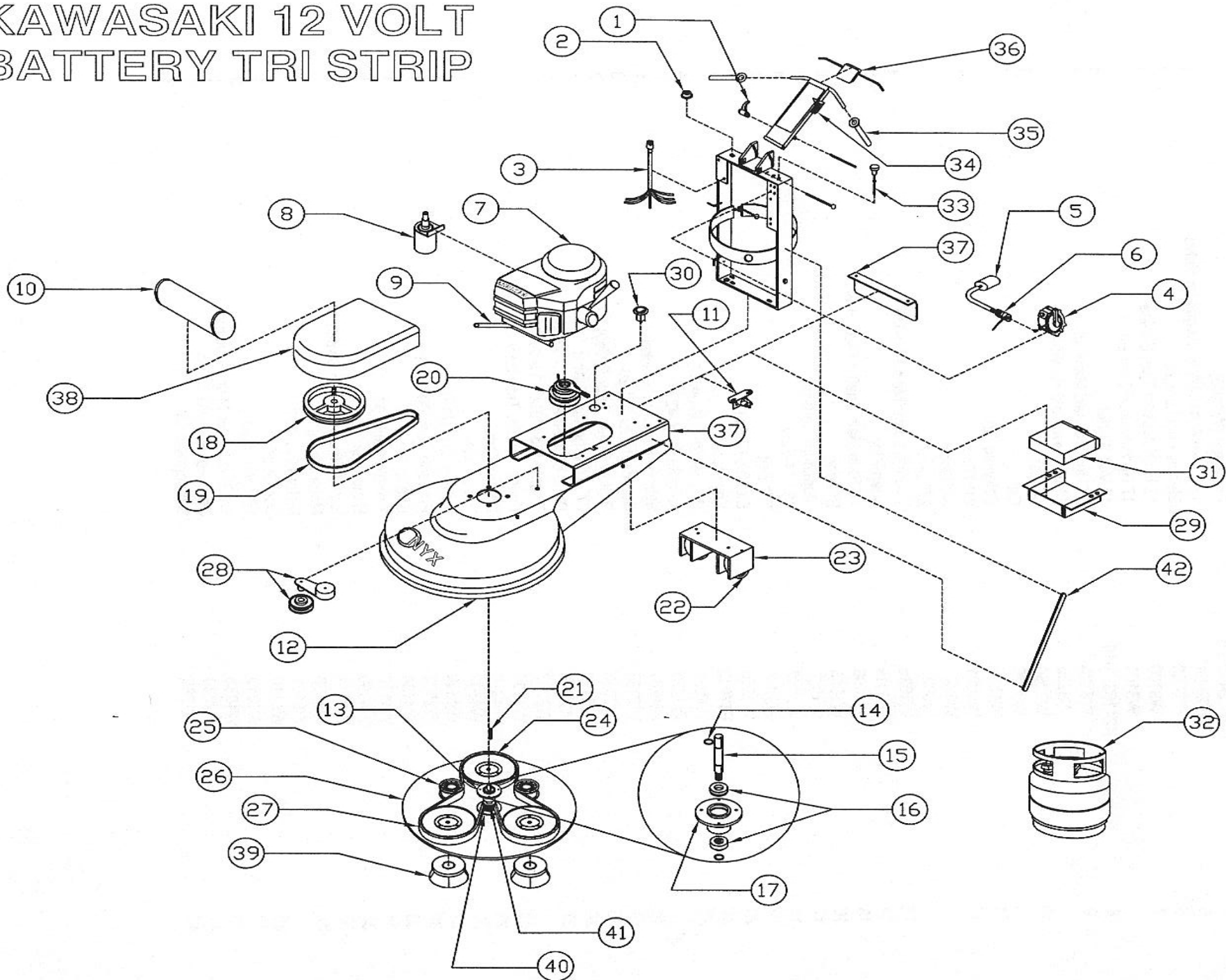
# KAWASAKI 12 VOLT BATTERY ASSEMBLY



## KAWASAKI 12 VOLT BATTERY BUFFER

REF #	PART #	PART DESCRIPTION	QTY
1	W4020	Bottle Carrier Adjustment Handle	1
2	W1301	Ignition Switch	1
3	W1302	Ignition Switch Harness	1
4	N-51-2A-C-3.0 (W2606)	Regulator	1
5	W2649C	12" Hose Assembly w/ Regulator Valve	1
6	W2608	Electric Fuel Lock-off	1
7	W3105	13 Hp Kawasaki Twin Engine	1
	W3102	17 Hp Kawasaki Twin Engine	
8	K21163-7010	12 Volt Starter	1
9	W3225	17 Hp Kawasaki Manifold	1
	W3235	13 Hp Kawasaki Manifold	
10	W3260	Muffler	1
	W3220	Cat	1
11	W1305	Solenoid 12V	1
12	W5021	21" Deck	1
	W5024	24" Deck	
	W5027	27" Deck	
13	W1066A	Front Bearing Assembly	1
14	F68019	Snap Ring	2
15	W1007	Shaft	1
16	W1055	Bearing	2
17	W1060	Aluminum Housing	1
18	W2060	6" Pulley	1
	W2075	7.5" Pulley	
	W2085	8.8" Pulley	
19	WB43	43" Belt	1
	WB51	51" Belt	
20	W2035	3.5" Pulley	1
21	F47913	Key stock	2
22	W4211	Standard Wheel Bracket	2
	W4220	Rubber Wheel 6 x 1.5"	2
	W4221	Axel Kit for W4220	2
23	W4240	Rear Caster	1
24	W1510A	21" Standard Pad Driver	1
	W1511A	27" Standard Pad Driver	
	W1512A	24" Standard Pad Driver	
25	W1011	Standard Pad Driver Shaft Plate 5"	1
26	W1510	21" Flex Lok Riser	1
	W1511	27" Flex Lok Riser	
	W1512	24" Flex Lok Riser	
27	W1501	Pad Driver Center-Lok 3"	1
28	W1101	Fenner Rotary Tensioner	1
29	W4270	Battery Tray	1
30	W4302	Hour Meter	1
31	W4350	Battery 12V 18 AH	1
32	W2502	Propane Tank 80% Steel	1
33	W4134	Choke Cable 48"	1
34	W4110	Throttle Cable 53"	1
35	W4050	Hand Grip	2

# KAWASAKI 12 VOLT BATTERY TRI STRIP

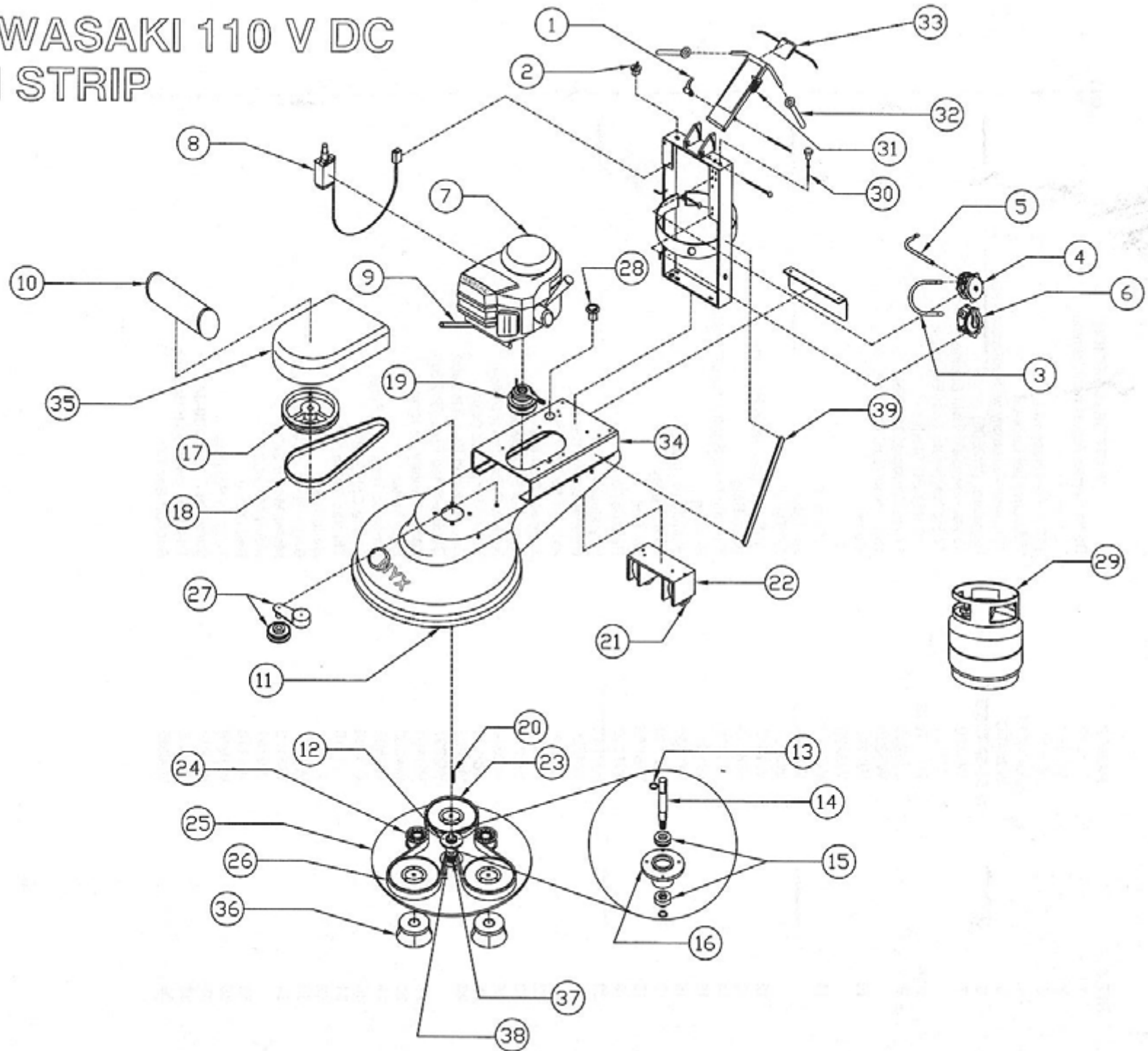




## KAWASAKI 12 VOLT TRI STRIP

REF #	PART #	PART DESCRIPTION	QTY
1	W4020	Bottle Carrier Adjustment Handle	1
2	W1301	Ignition Switch	1
3	W1302	Ignition Switch Harness	1
4	N-51-2A-C-3.0	Regulator (W2606)	1
5	W2649C	12" Hose Assembly w/ Regulator Valve	1
6	W2608	Electric Fuel Lock-off	1
7	W3100	13 Hp Kawasaki Twin Engine	1
	W3101	17 Hp Kawasaki Twin Engine	1
8	K21163-7010	12 Volt Starter	1
9	W3225	17 Hp Kawasaki Manifold	1
	W3235	13 Hp Kawasaki Manifold	1
10	W3260	Muffler	1
	W3220	Cat	1
11	W1305	Solenoid 12V	1
12	W5021	21" Deck	1
	W5024	24" Deck	1
	W5027	27" Deck	1
13	W1035	Tri-Strip Lower Main Housing	1
14	F68019	Snap Ring	2
15	W1008	Tri-Strip Main Shaft 1 Piece 1 3/16"	1
16	W1055	Bearing	2
17	W1060	Aluminum Housing	1
18	W2140	13.8" Pulley	1
19	WBX56	56" Belt	1
20	W1210	Electric Clutch	1
21	F47913	Key stock	1
22	W4225	Rubber Strip Wheel 6 x 1.5"	2
	W4226	Axle Kit for W4225	2
23	W4261	Stripper Tire/Wheel Bracket	1
24	W2235	Sprocket P90-8M-20	3
25	W2010	Retlow Pulley (Idler Pulley)	2
26	W5120	27" Tri-Strip Disc Driver	1
27	W2208	Double-Sided Belt, TP 2400	1
	W2207	Double-Sided Belt, TP 2200	1
28	W1101	Fenner Rotary Tensioner	1
29	W4270	Battery Tray	1
30	W4302	Hour Meter	1
31	W4350	Battery 12V 18 AH	1
32	W2502	Propane Tank 80% Steel	1
33	W4134	Choke Cable 48"	1
34	W4110	Throttle Cable 53"	1
35	W4050	Hand Grip	2
36	W1311	Eagle Electric Clutch Switch	1
37	W5150	Motor Mount 24"	1
	W5151	Motor Mount 27"	1
38	W5110	Belt Guard	1
39	W1610	Tri-Strip Brushes	3
40	W1035	Tri-Strip Lower Main Housing	1
41	W2230	Sprocket P28-8M-30-JA	1
42	W2265	Support Bar 14"	2

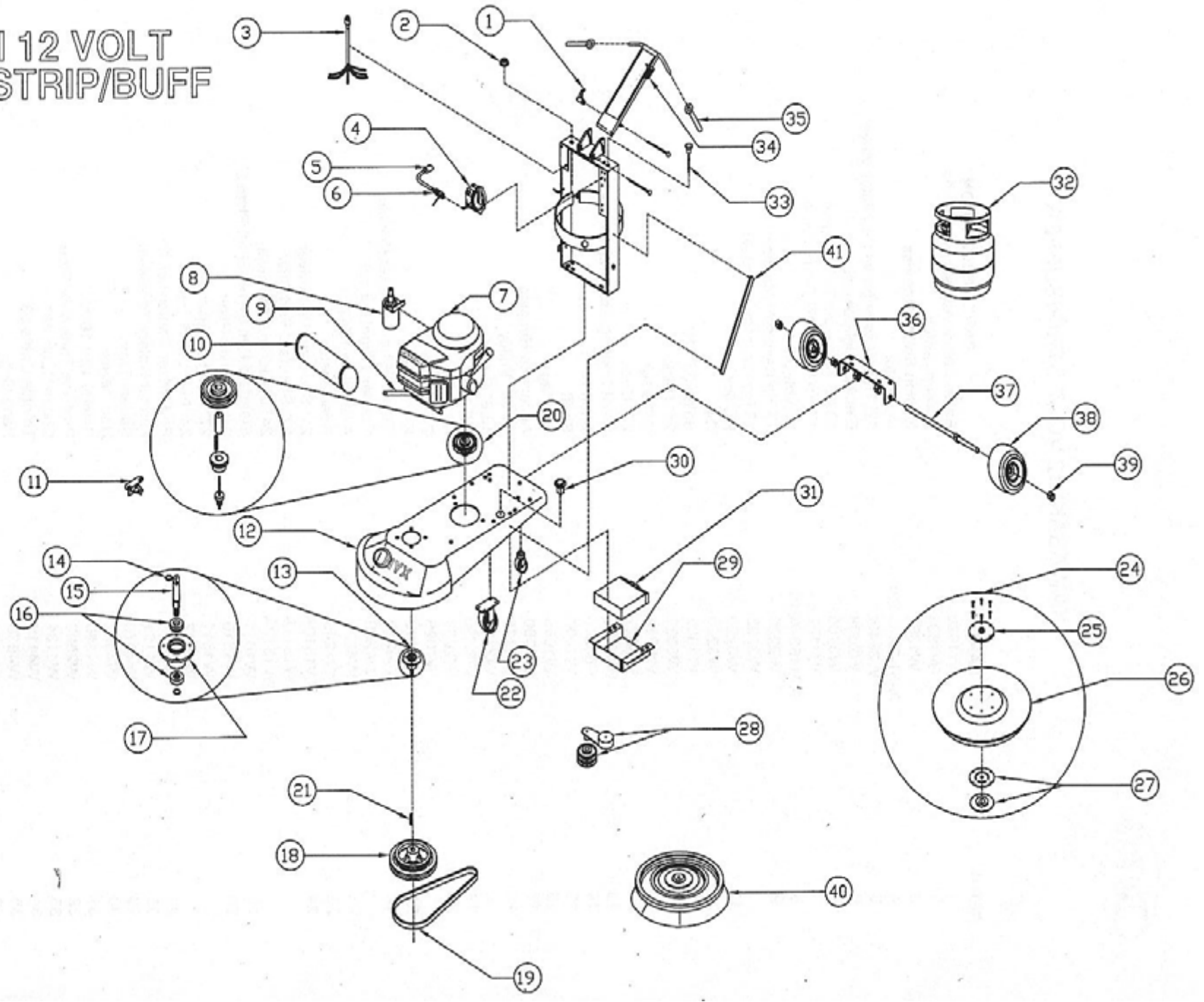
# KAWASAKI 110 V DC TRI STRIP



## KAWASAKI 110 V DC TRI-STRIP

REF #	PART #	PART DESCRIPTION	QTY
1	W4020	Bottle Carrier Adjustment Handle	1
2	W1309	Kill Switch	1
3	W2649A	110 V Fuel Hose w/ Swivel	1
4	N00-0125A	Vacuum Fuel Lock-off	1
5	W2649C	12" Hose Assembly w/ Regulator Valve	1
6	N-51-2A-C-3.0	Regulator (W2606)	1
7	W3100	13 Hp Kawasaki Twin Engine	1
	W3101	17 Hp Kawasaki Twin Engine	
8	K21163-7012	110 Volt DC Starter	1
9	W3225	17 Hp Kawasaki Manifold	1
	W3235	13 Hp Kawasaki Manifold	
10	W3260	Muffler	1
	W3220	Cat	1
11	W5021	21" Deck	1
	W5024	24" Deck	
	W5027	27" Deck	
12	W1035	Tri-Strip Upper Main Housing	1
13	F68019	Snap Ring	2
14	W1008	Tri-Strip Main Shaft 1 Piece 1 3/16"	1
15	W1055	Bearing	2
16	W1060	Aluminum Housing	1
17	W2140	13.8" Pulley	1
18	WBX56	56" Belt	1
19	W1210	Electric Clutch	1
20	F47913	Key stock	1
21	W4225	Rubber Wheel 6 x 1.5"	2
	W4226	Axle Kit for W4225	2
22	W4261	Stripper Wheel Bracket	1
23	W2235	Sprocket P90-8M-20	3
24	W2010	Retlow Pulley (Idler Pulley)	2
25	W5120	27" Tri-Strip Disc Driver	1
26	W2208	Double-Sided Belt, TP 2400	1
	W2207	Double-Sided Belt, TP 2200	
27	W1101	Fenner Rotary Tensioner	1
28	W4302	Hour Meter	1
29	W2502	Propane Tank 80% Steel	1
30	W4134	Choke Cable 48"	1
31	W4110	Throttle Cable 53"	1
32	W4050	Hand Grip	2
33	W1311	Eagle Electric Clutch Switch	1
34	W5150	Motor Mount 24"	1
	W5151	Motor Mount 27"	
35	W5110	Belt Guard	1
36	W1610	Tri-Strip Brushes	3
37	W2230	Sprocket P28-8M-30-JA	1
38	W1035	Tri-Strip Lower Main Housing	1
39	W4265	Support Bar 14"	2

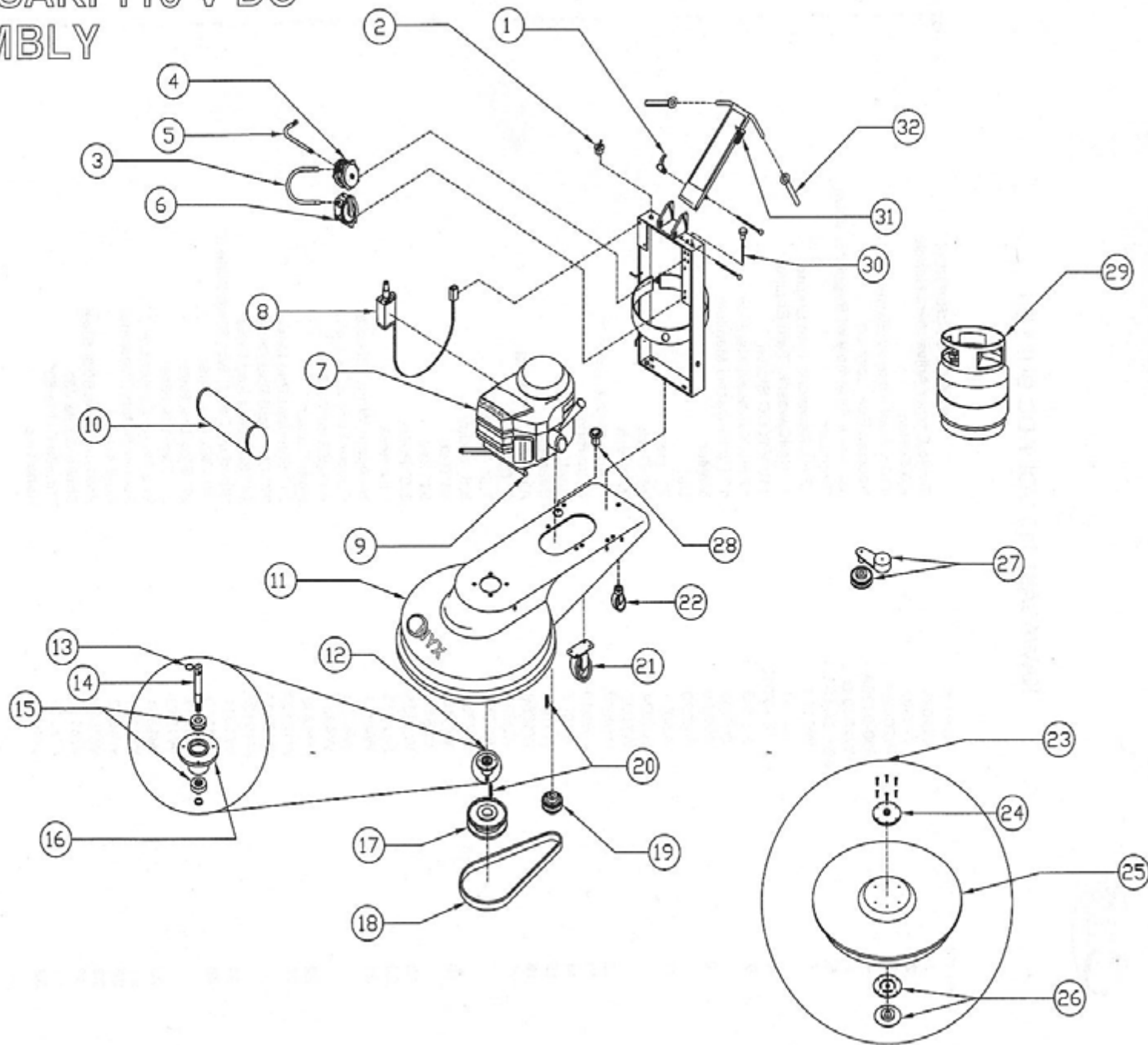
# KAWASAKI 12 VOLT BATTERY STRIP/BUFF



## KAWASAKI 12 VOLT STRIP/BUFFER

REF #	PART #	PART DESCRIPTION	QTY
1	W4020	Bottle Carrier Adjustment Handle	1
2	W1301	Ignition Switch	1
3	W1302	Ignition Switch Harness	1
4	N-51-2A-C-3.0	Regulator	1
5	W2649C	12" Hose Assembly w/ Regulator Valve	1
6	W2608	Electric Fuel Lock-off	1
7	W3105	13 Hp Kawasaki Twin Engine	1
	W3102	17 Hp Kawasaki Twin Engine	
8	K21163-7010	12 Volt Starter	1
9	W3225	17 Hp Kawasaki Manifold	1
	W3235	13 Hp Kawasaki Manifold	
10	W3260	Muffler	1
	W3220	Cat	1
11	W1305	Solenoid 12V	1
12	W5021	21" Deck	1
	W5024	24" Deck	
	W5027	27" Deck	
13	W1066A	Front Bearing Assembly	1
14	F68019	Snap Ring	2
15	W1007	Shaft	1
16	W1055	Bearing	2
17	W1060	Aluminum Housing	1
18	W2125	11.25" Pulley	1
	W2140	13.8" Pulley	
19	WBX56	56" Belt	1
20	W2060	6" Pulley	1
	W2025	2.5" Pulley	1
21	F47913	Key stock	2
22	W4210	Deluxe Wheel Bracket (5 Hole)	2
	W4220	Rubber Wheel 6 x 1.5"	2
	W4221	Axle Kit for W4220	2
23	W4240	Rear Caster	1
24	W1510A	21" Standard Pad Driver	1
	W1511A	27" Standard Pad Driver	
	W1512A	24" Standard Pad Driver	
25	W1011	Standard Pad Driver Shaft Plate 5"	1
26	W1510	21" Flex Lok Riser	1
	W1511	27" Flex Lok Riser	
	W1512	24" Flex Lok Riser	
27	W1501	Pad Driver Center-Lok 3"	1
28	W1101	Fenner Rotary Tensioner	1
29	W4270	Battery Tray	1
30	W4302	Hour Meter	1
31	W4350	Battery 12V 18 AH	1
32	W2502	Propane Tank 80% Steel	1
33	W4134	Choke Cable 48"	1
34	W4110	Throttle Cable 53"	1
35	W4050	Hand Grip	2
36	W4260	Strip-Buffer Tire Bracket	1
37	W4256	Strip-Buffer Axle 5/8"	1
38	W4250	Strip-Buffer Tire	2
39	F33376	Zinc Collar 3/4" ID	6
40	W1621A	21" Strip Brush Complete	1
41	W4266	Support Bar 14"	2

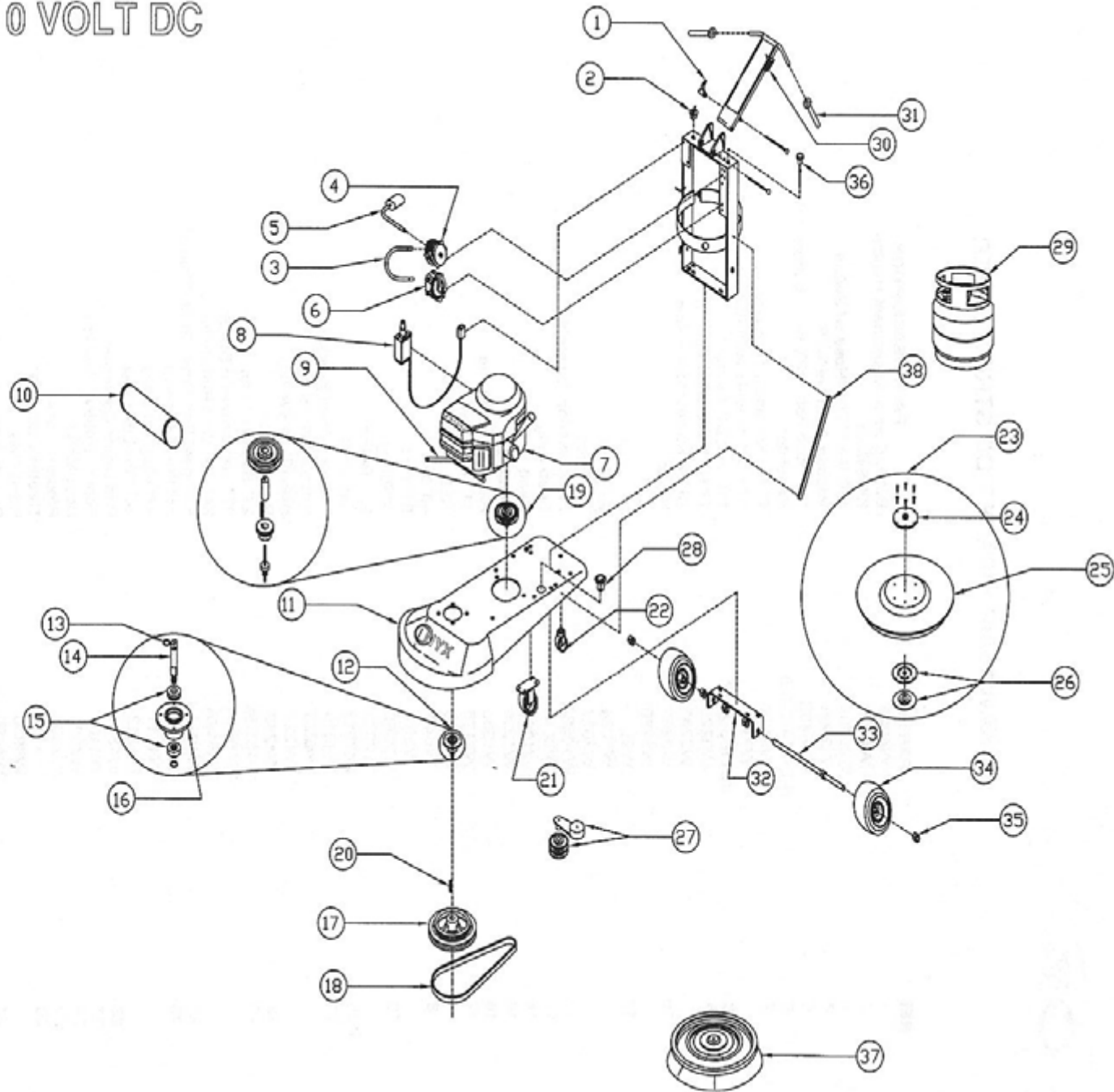
# KAWASAKI 110 V DC ASSEMBLY



## KAWASAKI 110 VOLT DC BUFFER

REF #	PART #	PART DESCRIPTION	QTY
1	W4020	Bottle Carrier Adjustment Handle	1
2	W1309	Kill Switch	1
3	W2649-A	110 V Fuel Hose w/ Swivel	1
4	N00-0125A (W2607)	Vaccum Fuel Lock-off	1
5	W2649-B	14" Hose Assembly w/ Regulator Valve	1
6	N-51-2A-C-3.0 (W2606)	Regulator	1
7	W3100	13 Hp Kawasaki Twin Engine	1
	W3101	17 Hp Kawasaki Twin Engine	
8	K21163-7012	110 Volt DC Starter	1
9	W3225	17 Hp Kawasaki Manifold	1
	W3235	13 Hp Kawasaki Manifold	
10	W3260	Muffler	1
	W3220	Cat	1
11	W5021	21" Deck	1
	W5024	24" Deck	
	W5027	27" Deck	
12	W1066A	Front Bearing Assembly	1
13	F68019	Snap Ring	2
14	W1007	Shaft	1
15	W1055	Bearing	2
16	W1060	Aluminum Housing	1
17	W2060	6" Pulley	1
	W2075	7.5" Pulley	
	W2085	8.8" Pulley	
18	WB43	43"Belt	1
	WB51	51" Belt	
19	W2035	3.5" Pulley	1
20	F47913	Key stock	2
21	W4211	Standard Wheel Bracket	2
	W4220	Rubber Wheel 6 x 1.5"	2
	W4221	Axle Kit for W4220	2
22	W4240	Rear Caster	1
23	W1510A	21" Standard Pad Driver	1
	W1511A	27" Standard Pad Driver	
	W1512A	24" Standard Pad Driver	
24	W1011	Standard Pad Driver Shaft Plate 5"	1
25	W1510	21" Flex Lok Riser	1
	W1511	27" Flex Lok Riser	
	W1512	24" Flex Lok Riser	
26	W1501	Pad Driver Center-Lok 3"	1
27	W1101	Fenner Rotary Tensioner	1
28	W4302	Hour Meter	1
29	W2502	Propane Tank 80% Steel	1
30	W4134	Choke Cable 48"	1
31	W4110	Throttle Cable 53"	1
32	W4050	Hand Grip	2

# KAWASAKI 110 VOLT DC STRIP/BUFF

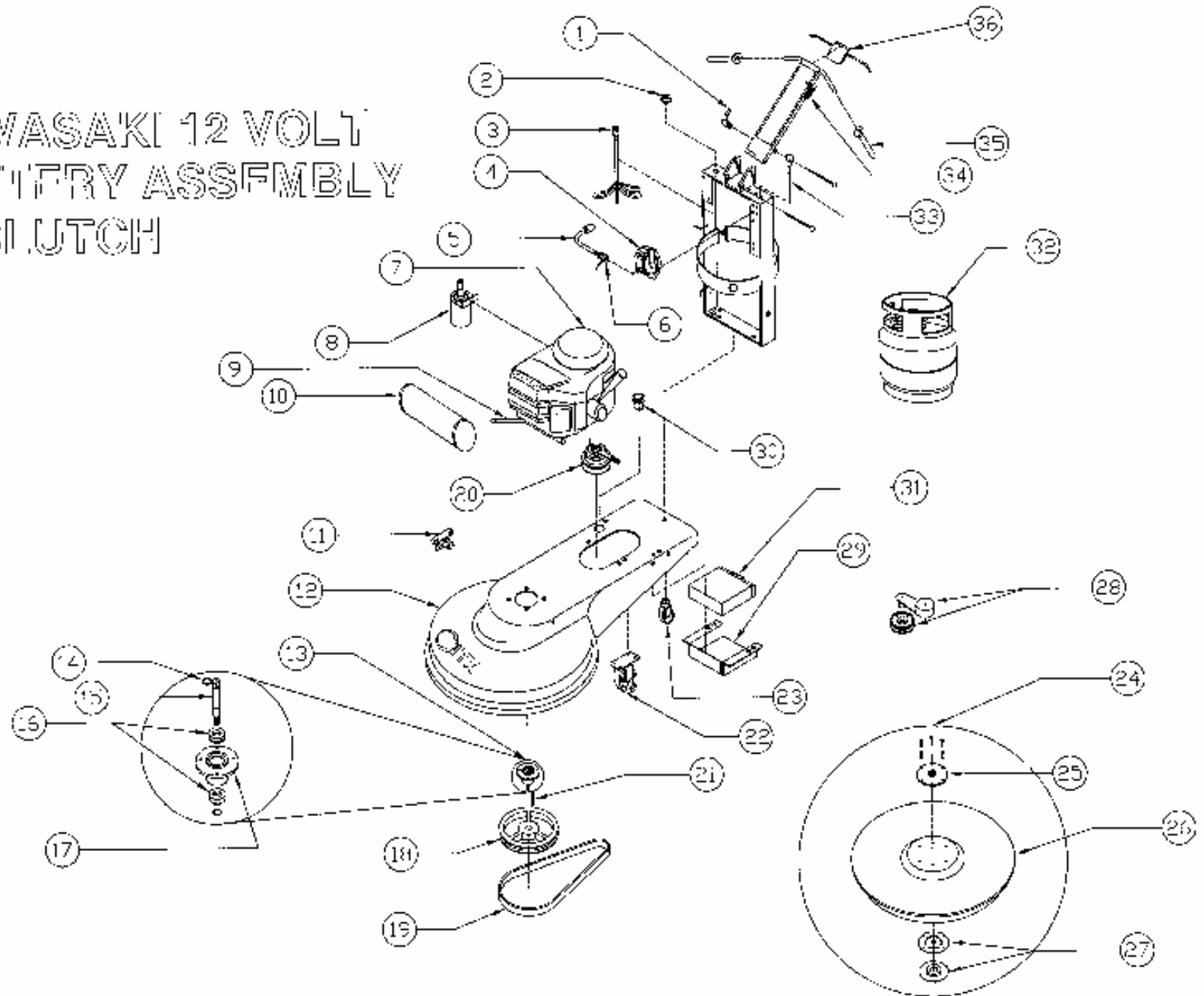




## KAWASAKI 110 VOLT DC STRIP/BUFFER

REF #	PART #	PART DESCRIPTION	QTY
1	W4020	Bottle Carrier Adjustment Handle	1
2	W1309	Kill Switch	1
3	W2649-A	110 V 14" Fuel Hose w/ Swivel	1
4	W2608	Vaccum Fuel Lock-off	1
5	W2649B	14" Hose Assembly w/ Regulator Valve	1
6	N-51-2A-C-3.0	Regulator	1
7	W3100	13 Hp Kawasaki Twin Engine	1
	W3101	17 Hp Kawasaki Twin Engine	1
8	K21163-7012	110 Volt DC Starter	1
9	W3225	17 Hp Kawasaki Manifold	1
	W3235	13 Hp Kawasaki Manifold	1
10	W3260	Muffler	1
	W3220	Cat	1
11	W5021	21" Deck	1
	W5024	24" Deck	1
	W5027	27" Deck	1
12	W1066A	Front Bearing Assembly	1
13	F68019	Snap Ring	2
14	W1007	Shaft	1
15	W1055	Bearing	2
16	W1060	Aluminum Housing	1
17	W2125	11.25" Pulley	1
	W2140	13.8" Pulley	1
18	WB43	43" Belt	1
	WB51	51" Belt	1
19	W2060	6" Pulley	1
	W2025	2.5" Pulley	1
20	F47913	Key stock	2
21	W4210	Deluxe Wheel Bracket	2
	W4220	Rubber Wheel 6 x 1.5"	2
	W4221	Axel Kit for W4220	2
22	W4240	Rear Caster	1
23	W1510A	21" Standard Pad Driver	1
	W1511A	27" Standard Pad Driver	1
	W1512A	24" Standard Pad Driver	1
24	W1011	Standard Pad Driver Shaft Plate 5"	1
25	W1510	21" Flex Lok Riser	1
	W1511	27" Flex Lok Riser	1
	W1512	24" Flex Lok Riser	1
26	W1501	Pad Driver Center-Lok 3"	1
27	W1101	Fenner Rotary Tensioner	1
28	W4302	Hour Meter	1
29	W2502	Propane Tank	1
30	W4110	Throttle Cable 53"	1
31	W4050	Hand Grip	2
32	W4260	Strip-Buff Tire Bracket	1
33	W4256	Strip-Buff Axle 5/8"	1
34	W4250	Strip-Buff Tire	2
35	F33376	Zinc Collar 3/4" ID	6
36	W4134	Choke Cable 48"	1
37	W1621A	21" Strip Brush Complete	1
38	W4266	Support Bar 14"	2

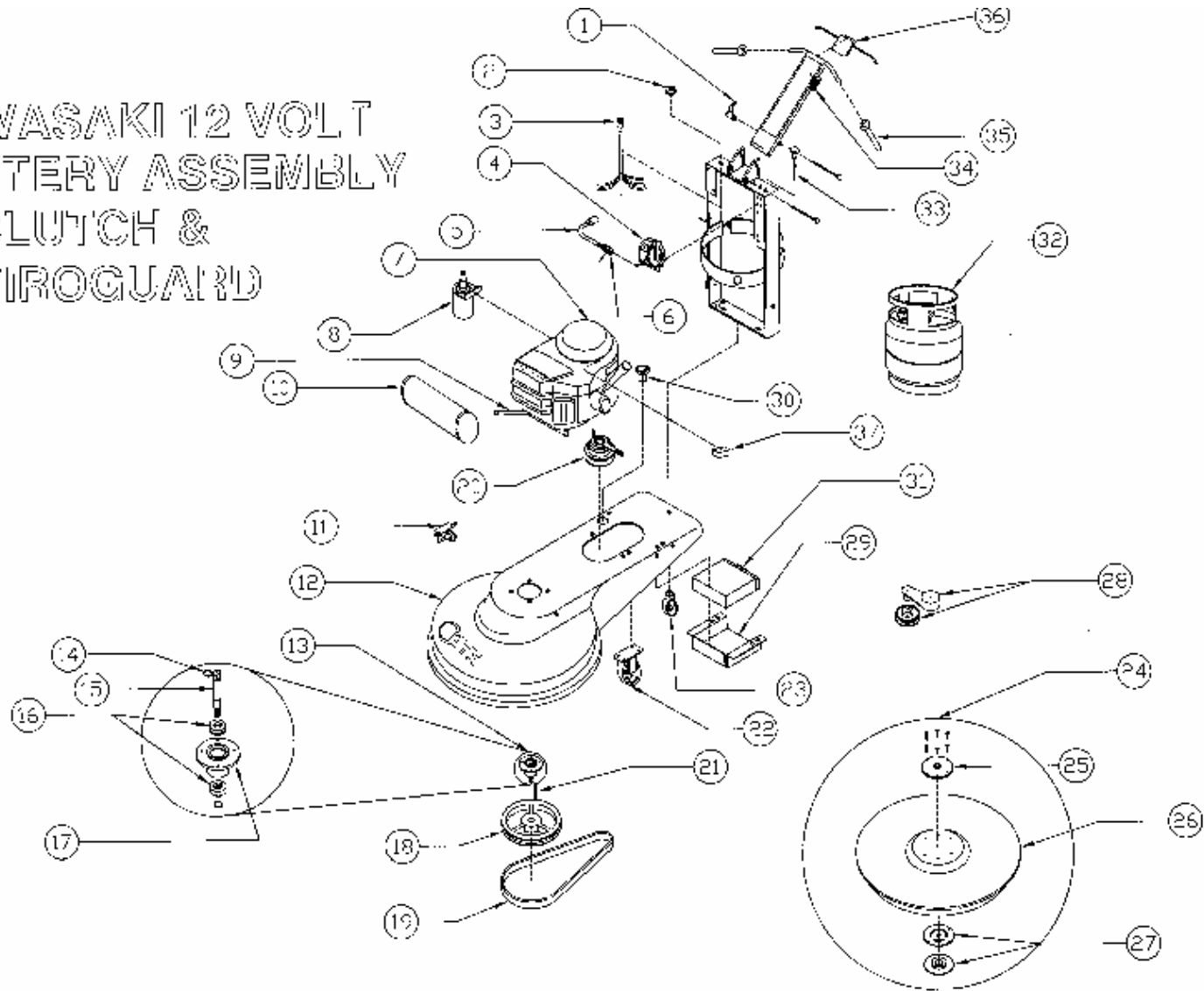
# KAWASAKI 12 VOLT BATTERY ASSEMBLY W/ CLUTCH



## KAWASAKI 12 VOLT BATTERY BUFFER w/ CLUTCH

REF #	PART #	PART DESCRIPTION	QTY
1	W4020	Bottle Carrier Adjustment Handle	1
2	W1301	Ignition Switch	1
3	W1302	Ignition Switch Harness	1
4	N-51-2A-C-3.0 (W2606)	Regulator	1
5	W2649C	12" Hose Assembly w/ Regulator Valve	1
6	W2608	Electric Fuel Lock-off	1
7	W3105	13 Hp Kawasaki Twin Engine	1
	W3102	17 Hp Kawasaki Twin Engine	
8	K21163-7010	12 Volt Starter	1
9	W3225	17 Hp Kawasaki Manifold	1
	W3235	13 Hp Kawasaki Manifold	
10	W3260	Muffler	1
	W3220	Cat	1
11	W1305	Solenoid 12V	1
12	W5021	21" Deck	1
	W5024	24" Deck	
	W5027	27" Deck	
13	W1066A	Front Bearing Assembly	1
14	F68019	Snap Ring	2
15	W1007	Shaft	1
16	W1055	Bearing	2
17	W1060	Aluminum Housing	1
18	W2113	11.25" Pulley	1
19	WB56	56" Belt	1
20	W1210	Electric Clutch	1
21	F47913	Key stock	2
22	W4211	Standard Wheel Bracket	2
	W4220	Rubber Wheel 6 x 1.5"	2
	W4221	Axel Kit for W4220	2
23	W4240	Rear Caster	1
24	W1510A	21" Standard Pad Driver	1
	W1511A	27" Standard Pad Driver	
	W1512A	24" Standard Pad Driver	
25	W1011	Standard Pad Driver Shaft Plate 5"	1
26	W1510	21" Flex Lok Riser	1
	W1511	27" Flex Lok Riser	
	W1512	24" Flex Lok Riser	
27	W1501	Pad Driver Center-Lok 3"	1
28	W1101	Fenner Rotary Tensioner	1
29	W4270	Battery Tray	1
30	W4302	Hour Meter	1
31	W4350	Battery 12V 18 AH	1
32	W2502	Propane Tank 80% Steel	1
33	W4134	Choke Cable 48"	1
34	W4110	Throttle Cable 53"	1
35	W4050	Hand Grip	2
36	W1311	Eagle Electric Clutch Switch	1

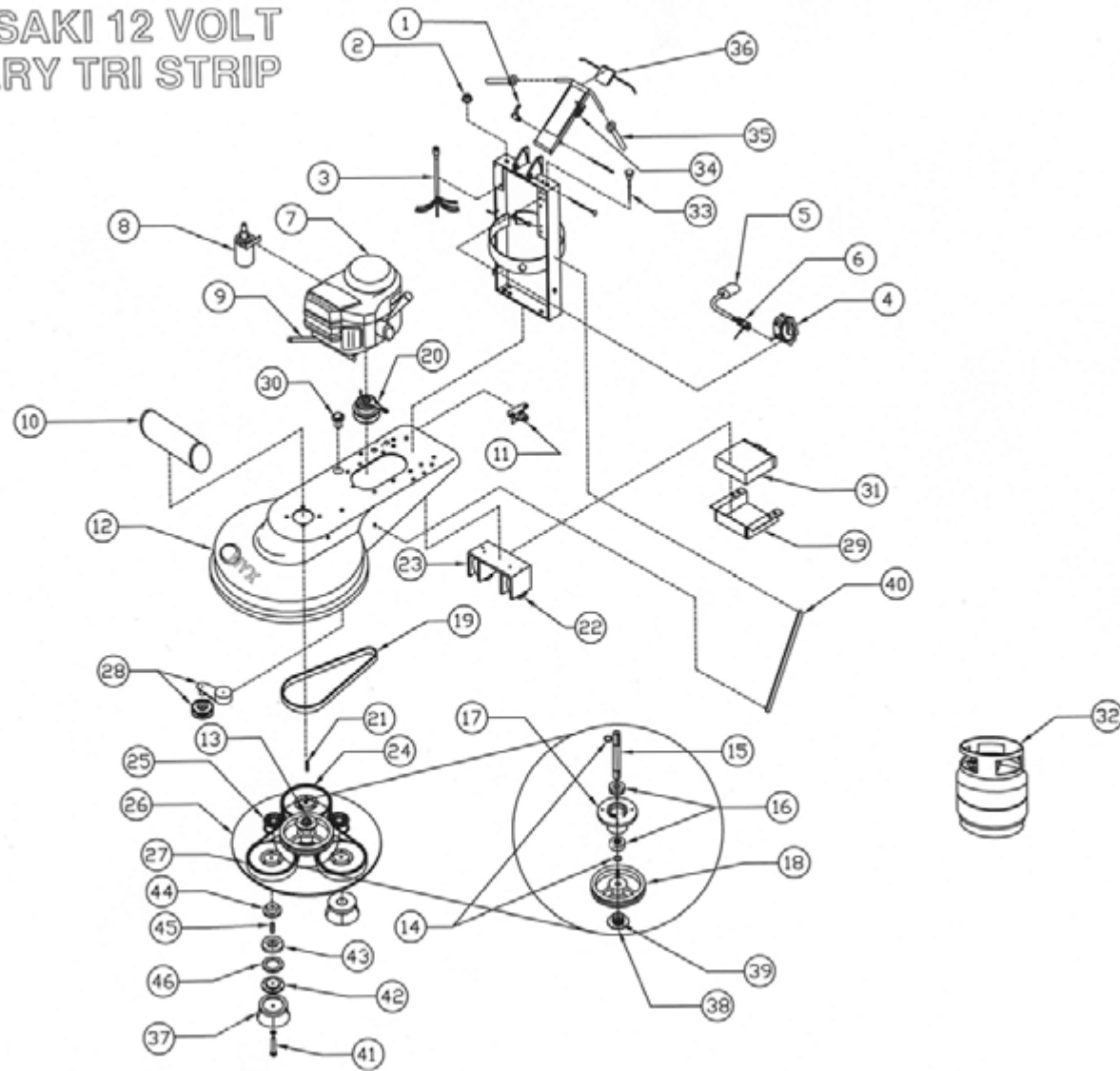
KAWASAKI 12 VOLT  
BATTERY ASSEMBLY  
w/ CLUTCH &  
ENVIROGUARD



## KAWASAKI 12 VOLT BATTERY BUFFER w/ CLUTCH & ENVIROGARD

REF #	PART #	PART DESCRIPTION	QTY
1	W4020	Bottle Carrier Adjustment Handle	1
2	W1301	Ignition Switch	1
3	W1302	Ignition Switch Harness	1
4	N-51-2A-C-3.0 (W2606)	Regulator	1
5	W2649C	12" Hose Assembly w/ Regulator Valve	1
6	W2608	Electric Fuel Lock-off	1
7	W3105	13 Hp Kawasaki Twin Engine	1
	W3102	17 Hp Kawasaki Twin Engine	
8	K21163-7010	12 Volt Starter	1
9	W3225	17 Hp Kawasaki Manifold	1
	W3235	13 Hp Kawasaki Manifold	
10	W3260	Muffler	1
	W3220	Cat	1
11	W1305	Solenoid 12V	1
12	W5021	21" Deck	1
	W5024	24" Deck	
	W5027	27" Deck	
13	W1066A	Front Bearing Assembly	1
14	F68019	Snap Ring	2
15	W1007	Shaft	1
16	W1055	Bearing	2
17	W1060	Aluminum Housing	1
18	W2113	11.25" Pulley	1
19	WB56	56"Belt	1
20	W1210	Electric Clutch	1
21	F47913	Key stock	2
22	W4211	Standard Wheel Bracket	2
	W4220	Rubber Wheel 6 x 1.5"	2
	W4221	Axel Kit for W4220	2
23	W4240	Rear Caster	1
24	W1510A	21" Standard Pad Driver	1
	W1511A	27" Standard Pad Driver	
	W1512A	24" Standard Pad Driver	
25	W1011	Standard Pad Driver Shaft Plate 5"	1
26	W1510	21" Flex Lok Riser	1
	W1511	27" Flex Lok Riser	
	W1512	24" Flex Lok Riser	
27	W1501	Pad Driver Center-Lok 3"	1
28	W1101	Fenner Rotary Tensioner	1
29	W4270	Battery Tray	1
30	W4302	Hour Meter	1
31	W4350	Battery 12V 18 AH	1
32	W2502	Propane Tank 80% Steel	1
33	W4134	Choke Cable 48"	1
34	W4110	Throttle Cable 53"	1
35	W4050	Hand Grip	2
36	W1311	Eagle Electric Clutch Switch	1
37	W2802	Envirogard V Emission Sensor	1

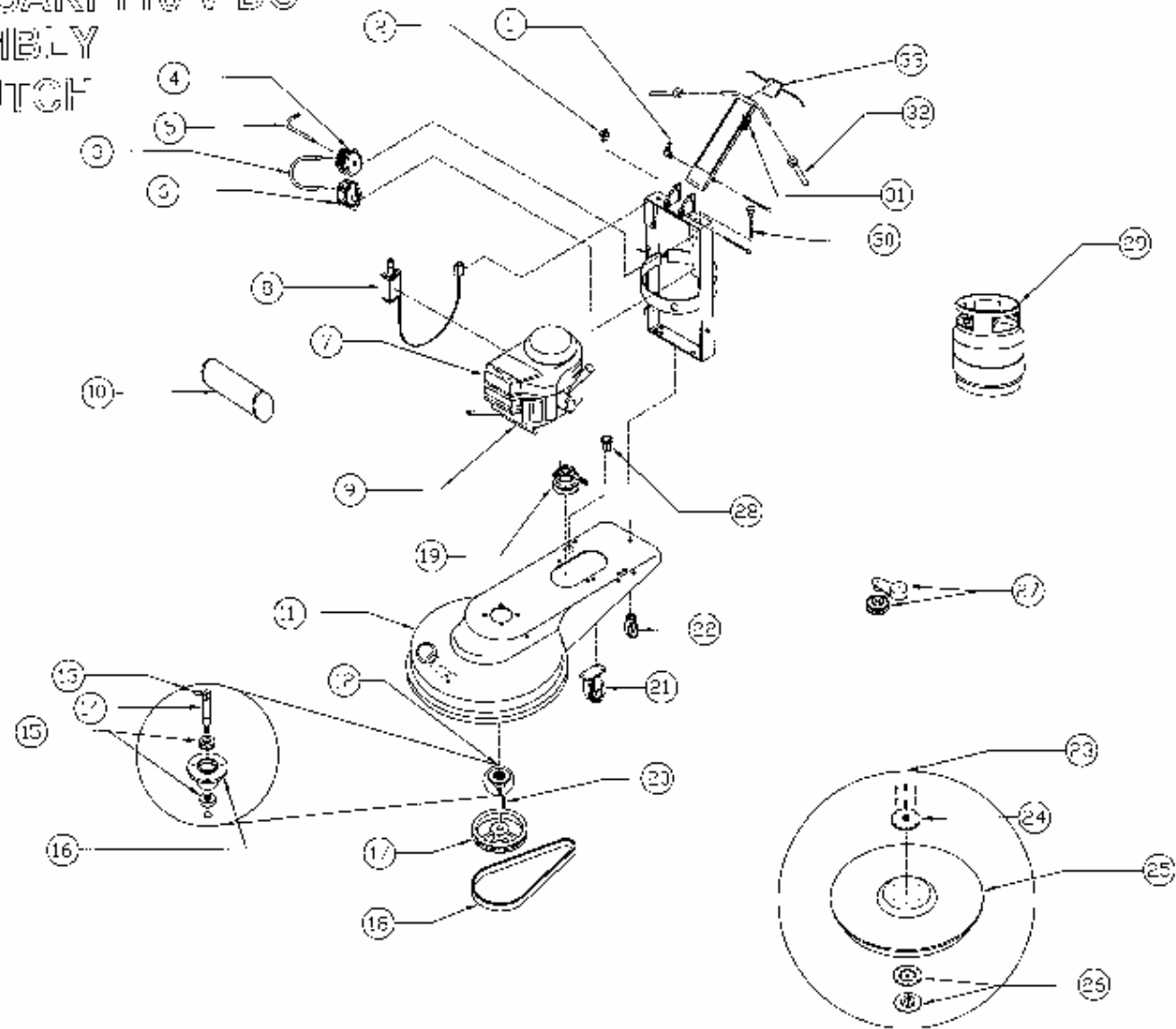
KAWASAKI 12 VOLT  
BATTERY TRI STRIP  
ver. 2



## KAWASAKI 12 VOLT TRI STRIP ver. 2

REF #	PART #	PART DESCRIPTION	QTY
1	W4020	Bottle Carrier Adjustment Handle	1
2	W1301	Ignition Switch	1
3	W1302	Ignition Switch Harness	1
4	N-51-2A-C-3.0	Regulator (W2606)	1
5	W2649C	12" Hose Assembly w/ Regulator Valve	1
6	W2608	Electric Fuel Lock-off	1
7	W3100	13 Hp Kawasaki Twin Engine	1
	W3101	17 Hp Kawasaki Twin Engine	
8	K21163-7010	12 Volt Starter	1
9	W3225	17 Hp Kawasaki Manifold	1
	W3235	13 Hp Kawasaki Manifold	
10	W3260	Muffler	1
	W3220	Cat	1
11	W1305	Solenoid 12V	1
12	W5021	21" Deck	1
	W5024	24" Deck	
	W5027	27" Deck	
13	W1035	Tri-Strip Lower Main Housing	1
14	F68019	Snap Ring	2
15	W1008	Tri-Strip Main Shaft 1 Piece 1 3/16"	1
16	W1055	Bearing	2
17	W1060	Aluminum Housing	1
18	W2140	13.8" Pulley	1
19	WBX56	56" Belt	1
20	W1210	Electric Clutch	1
21	F47913	Key stock	1
22	W4225	Rubber Strip Wheel 6 x 1.5"	2
	W4226	Axle Kit for W4225	2
23	W4261	Stripper Tire/Wheel Bracket	1
24	W2235	Sprocket P90-8M-20	3
25	W2010	Retlow Pulley (Idler Pulley)	2
26	W5120	27" Tri-Strip Disc Driver	1
27	W2208	Double-Sided Belt, TP 2400	1
	W2207	Double-Sided Belt, TP 2200	
28	W1101	Fenner Rotary Tensioner	1
29	W4270	Battery Tray	1
30	W4302	Hour Meter	1
31	W4350	Battery 12V 18 AH	1
32	W2502	Propane Tank 80% Steel	1
33	W4134	Choke Cable 48"	1
34	W4110	Throttle Cable 53"	1
35	W4050	Hand Grip	2
36	W1311	Eagle Electric Clutch Switch	1
37	W1610	10" Tri-Strip Brushes	3
38	W1035	Tri-Strip Lower Main Housing	1
39	W2230	Sprocket P28-8M-30-JA	1
40	W2265	Support Bar 14"	2
41	W1001	3/4" Bolt	3
42	W1010L	Tri-Strip Pad Driver Shaft Plate 4.5" LHT	3
43	W1045	Tri-Strip Secondary Housing	3
44	W2240	Bushing	3
45	W1009F	Tri-Strip Sub-Shaft 1" w/ snap rings (2)	3
46	W1651	Coupler	3

KAWASAKI 110 V DC  
ASSEMBLY  
w/ CLUTCH

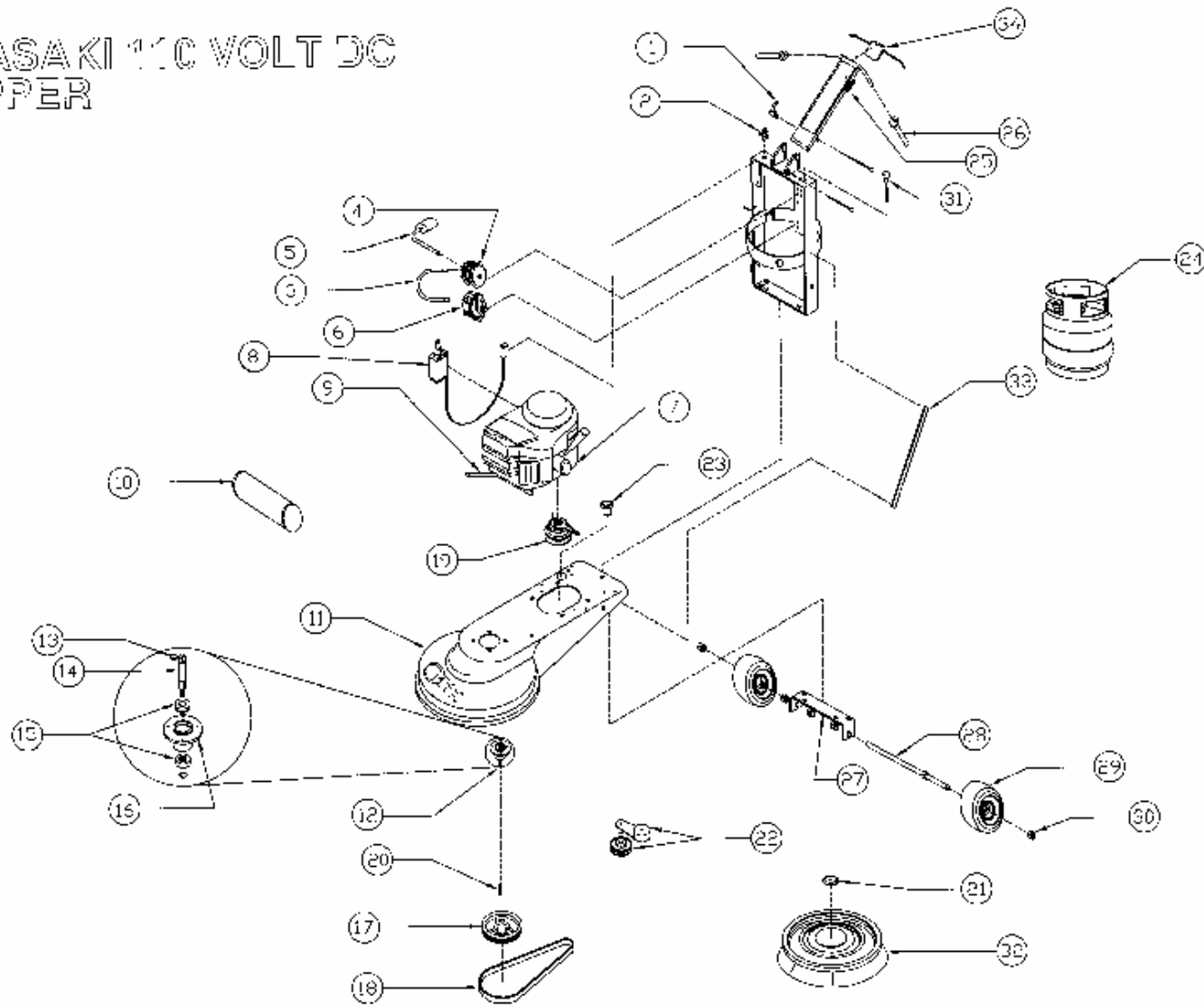




## KAWASAKI 110 VOLT DC BUFFER w/ CLUTCH

REF #	PART #	PART DESCRIPTION	QTY
1	W4020	Bottle Carrier Adjustment Handle	1
2	W1309	Kill Switch	1
3	W2649-A	110 V Fuel Hose w/ Swivel	1
4	N00-0125A (W2607)	Vaccum Fuel Lock-off	1
5	W2649-B	14" Hose Assembly w/ Regulator Valve	1
6	N-51-2A-C-3.0 (W2606)	Regulator	1
7	W3100	13 Hp Kawasaki Twin Engine	1
	W3101	17 Hp Kawasaki Twin Engine	
8	K21163-7012	110 Volt DC Starter	1
9	W3225	17 Hp Kawasaki Manifold	1
	W3235	13 Hp Kawasaki Manifold	
10	W3260	Muffler	1
	W3220	Cat	1
11	W5021	21" Deck	1
	W5024	24" Deck	
	W5027	27" Deck	
12	W1066A	Front Bearing Assembly	1
13	F68019	Snap Ring	2
14	W1007	Shaft	1
15	W1055	Bearing	2
16	W1060	Aluminum Housing	1
17	W2113	11.25" Pulley	1
18	WB56	56" Belt	1
19	W1210	Electric Clutch	1
20	F47913	Key stock	2
21	W4211	Standard Wheel Bracket	2
	W4220	Rubber Wheel 6 x 1.5"	2
	W4221	Axle Kit for W4220	2
22	W4240	Rear Caster	1
23	W1510A	21" Standard Pad Driver	1
	W1511A	27" Standard Pad Driver	
	W1512A	24" Standard Pad Driver	
24	W1011	Standard Pad Driver Shaft Plate 5"	1
25	W1510	21" Flex Lok Riser	1
	W1511	27" Flex Lok Riser	
	W1512	24" Flex Lok Riser	
26	W1501	Pad Driver Center-Lok 3"	1
27	W1101	Fenner Rotary Tensioner	1
28	W4302	Hour Meter	1
29	W2502	Propane Tank 80% Steel	1
30	W4134	Choke Cable 48"	1
31	W4110	Throttle Cable 53"	1
32	W4050	Hand Grip	2
33	W1311	Eagle Electric Clutch Switch	1

# KAWASAKI 110 VOLT DC STRIPPER



## KAWASAKI 110 VOLT DC STRIPPER

REF #	PART #	PART DESCRIPTION
1	W4020	Bottle Carrier Adjustment Handle
2	W1309	Kill Switch
3	W2649-A	110 V 14" Fuel Hose w/ Swivel
4	W2608	Vaccum Fuel Lock-off
5	W2649B	14" Hose Assembly w/ Regulator Valve
6	N-51-2A-C-3.0	Regulator
7	W3100	13 Hp Kawasaki Twin Engine
	W3101	17 Hp Kawasaki Twin Engine
8	K21163-7012	110 Volt DC Starter
9	W3225	17 Hp Kawasaki Manifold
	W3235	13 Hp Kawasaki Manifold
10	W3260	Muffler
	W3220	Cat
11	W5021	21" Deck
	W5024	24" Deck
12	W1066A	Front Bearing Assembly
13	F68019	Snap Ring
14	W1007	Shaft
15	W1055	Bearing
16	W1060	Aluminum Housing
17	W2113	11.25" Pulley
	W2140	13.8" Pulley
18	WB43	43" Belt
	WB51	51" Belt
19	W1210	Electric Clutch
20	F47913	Key stock
21	W1011	Standard Pad Driver Shaft Plate 5"
22	W1101	Fenner Rotary Tensioner
23	W4302	Hour Meter
24	W2502	Propane Tank
25	W4110	Throttle Cable 53"
26	W4050	Hand Grip
27	W4260	Strip-Buff Tire Bracket
28	W4256	Strip-Buff Axle 5/8"
29	W4250	Strip-Buff Tire
30	F33376	Zinc Collar 3/4" ID
31	W4134	Choke Cable 48"
32	W1621A	21" Strip Brush Complete
33	W4266	Support Bar 14"
34	W1311	Eagle Electric Clutch Switch